



MSL-VA-NSG-AT_en .01
Revisionsstand: 04

Verfahrensanweisung
NATIONAL STYLE GUIDE S1000D™
AUSTRIA
NSG-AT

Materialstab Luft
Abteilung Betriebsorganisation

Erstellt: Ref BO 4	In Kraft gesetzt mit GZ: S95885/7-ZTA/2009 vom: 08.07.2010	Approbiert: Ltr SIII
MLPA-Nr.:		MLPA-Nr.:

All rights reserved, in particular the rights of duplication, distribution, partial reproduction and storage in databases, and also in the case of patent granting or utility patent. No responsibility is taken for the correctness of this information.

Materialstab Luft
Abteilung Betriebsorganisation
msl.ltp@bmlv.gv.at
<http://www.bmlv.gv.at/>

COPYRIGHT (C) 2010 Bundesministerium für Landesverteidigung

Summary of NSG-AT

Technical Publications under the responsibility of the Bundesministerium für Landesverteidigung und Sport (BLVS) are intended to be standardised on the basis of the ASD/AIA/ATA specification S1000D™ (hereinafter S1000D).

The present guidelines define an integrated approach to the preparation of Technical Publications in accordance with S1000D. They contain additional information and statements for the use of the S1000D concerning the preparation of Data Modules (DM) including illustrations and Interactive Electronic Technical Publications (IETP). For basic information, the S1000D will be referenced.

The NATIONAL STYLE GUIDE S1000D™ AUSTRIA (NSG-AT) defines the mandatory guidelines for the preparation of Data Modules in accordance with S1000D.

The guidelines contain information and explanations for the use of the DTD elements and their attributes for the Data Module and the various Data Module types. The NSG-AT specifies the information and conventions required for data exchange, IETP as well as the use of the information codes and the standard numbering system.

The NSG-AT is based on S1000D Version 2.3. In case the use of another version of S1000D is required for a project, it is necessary to document the modifications in the corresponding project guidelines.

<p>Please accept that gender specific wording has been omitted for reasons of better readability. This publication applies for all genders in an equal manner</p>

NSG-AT_en Change Record

Initial Issue	Version 1.00	2011 February 01 Released internally
Change 1	Version 1.01	2012 May 16 Released together with German version
Change 2	Version 1.02	2013 April 29
Change 3	Version 1.03	2017 June 01
Change 4	Version 1.04	2019 September 02

HIGHLIGHTS of Change 1.04

- BMLVS changed to BMLV
- Chap 1.10 Project regulations
- Chap 4.6.1 Reference to SVG
- Chap 5.2.1 Update Model Identification Code AT
- Appendix New or changed Information Code Issue 5.0
022, 024, 025, 026, 169, 235

Table of Contents

Summary of NSG-AT	4
NSG-AT_en Change Record	5
HIGHLIGHTS of Change 1.04.....	6
1 General information.....	11
1.1 Introduction	11
1.2 Scope of the NSG-AT.....	11
1.3 Use of the NSG-AT	11
1.4 Reference documents	12
1.5 Document language	12
1.6 Document classification.....	12
1.7 Document changes	12
1.8 List of terms.....	12
1.9 Other applicable documents	12
1.10 Project regulations	12
2 Use of S1000D	13
2.1 Issue of S1000D	13
2.2 Data Module concept	13
2.3 XML – Terms and definitions	13
2.3.1 Encoding.....	13
2.3.2 Structure	13
2.3.3 Layout and formatting.....	13
2.3.4 Method of writing	13
2.4 Business rules exchange - BREX Data Module.....	14
2.4.1 Use of the BREX Data Module in the NSG-AT	14
3 Interaction of S1000D with other specifications	15
3.1 Logistic Support Analysis.....	15
3.2 Katalog der Materialerhaltungstätigkeiten (KMET).....	15
3.3 S2000M	15
4 CSDB objects	16
4.1 CSDB objects and Data Modules	16
4.2 Data Module (DM).....	16
4.3 Technical information repository.....	17
4.4 Commenting (COM)	18
4.5 Publication Module (PM)	18
4.6 Data exchange	18
4.6.1 File names and file types	18
4.7 Data Dispatch Note (DDN).....	20
4.8 Data Module Lists (DML) – S1000D	20
4.9 Data Module Structure List – Austria (DMSL-AT).....	20
5 Data Module Code	21
5.1 Overview	21
5.2 Data Module Code	21
5.2.1 Model Identification (MI) Code	21
5.2.2 System Difference Code (SDC)	24
5.2.3 Standard Numbering System (SNS)	25

5.2.4	Disassembly Code (DC)	25
5.2.5	Disassembly Code Variant (DCV)	25
5.2.6	Information Code (IC).....	25
5.2.7	Information Code Variant (ICV)	26
5.2.8	Item Location Code (ILC).....	26
5.2.9	DMC writing.....	26
6	Data Module identification and status section.....	27
6.1	Data Module identification	27
6.1.1	Data Module code extension.....	27
6.1.2	Data Module code.....	27
6.1.3	Data Module title.....	27
6.1.4	Issue number.....	28
6.1.5	Issue date	28
6.1.6	Language	28
6.2	Data Module status	29
6.2.1	Security classification	29
6.2.2	Data restrictions.....	30
6.2.3	Data Module size	30
6.2.4	Responsible partner company.....	30
6.2.5	Originator	30
6.2.6	Applicability	31
6.2.7	Technical standard.....	31
6.2.8	Business rules reference (M)	31
6.2.9	Quality assurance	31
6.2.10	System breakdown code / Functional item code / Functional item number	31
6.2.11	Skill level.....	32
6.2.12	Reason for update	32
6.2.13	Remarks	32
7	Data Module content section.....	34
7.1	Content section – Common constructs	34
7.1.1	In-line applicability.....	34
7.1.2	Special para (warning, caution and note)	34
7.1.3	Security classification.....	34
7.1.4	Change marks and highlights.....	34
7.1.5	Lists.....	35
7.1.6	Captions.....	36
7.1.7	Title.....	36
7.1.8	Table	36
7.1.9	Figure	36
7.1.10	Symbols.....	39
7.1.11	Hotspot	39
7.1.12	Paras	40
7.1.13	End of Data Module	40
7.2	Content section - References.....	40
7.2.1	Note on references	40
7.2.2	Identification of a reference – Allocation of an ID	40
7.2.3	Listing the references	42

7.2.4	References to other Data Modules	42
7.2.5	References to other publications	42
7.2.6	Reference to a specific part in the IPC.....	42
7.2.7	References within the same Data Module	43
7.3	Preliminary requirements	47
7.3.1	Production management data	47
7.3.2	Required condition	48
7.3.3	Required persons	48
7.3.4	Support equipment.....	49
7.3.5	Supplies	50
7.3.6	Spares	51
7.3.7	Safety	52
8	Data Module types	54
8.1	Descriptive Data Module	54
8.2	Procedural Data Module.....	54
8.3	Fault information Data Module	54
8.3.1	Fault reporting	54
8.3.2	Fault isolation	54
8.4	Maintenance planning Data Module	55
8.4.1	Time limits.....	55
8.4.2	System task list.....	55
8.4.3	Scheduled / Unscheduled check	56
8.5	Crew/Operator Data Module	56
8.5.1	Descriptive information	56
8.5.2	Crew checklist	56
8.6	Illustrated parts Data Module	57
8.6.1	Catalogue sequence number	57
8.6.2	S2000M IPD Data Module	59
8.6.3	IPD Data Module industry parts list	59
8.6.4	Manufacturer index	59
8.7	Wiring Data Module.....	60
8.8	BREX Data Module	60
8.9	Further Data Module types	60
9	Publications.....	61
9.1	List of applicable publications	61
9.2	Publication Module.....	61
9.3	Legacy data.....	61
10	Quality control	62
10.1	Quality assurance process.....	62
10.2	First Verification	62
10.3	Second Verification	62
10.4	Certificate of conformity	62
10.5	Incoming inspection	62
10.6	Indicating the QA status	63
10.7	Sign off	63
10.7.1	Approval by the ZTA	63
10.7.2	Approbation by the MLLD	63

11	Change management.....	64
11.1	Contractual regulations.....	64
11.2	Commenting.....	64
11.3	Updating of Data Module.....	64
11.4	Einlageblatt within MLLD.....	64
11.4.1	Temporary Einlageblatt.....	64
11.4.2	Permanent Einlageblatt.....	65
12	Deliverables.....	66
12.1	Data Dispatch Note (DDN).....	66
12.1.1	Regulations for the DDN.....	66
12.2	Data Module lists (DML) – S1000D.....	67
12.2.1	DMRL identification code.....	67
12.2.2	DMRL entries.....	68
12.2.3	CSDB status list (CSL).....	68
12.3	Data Module structure list – AT (DMSL-AT).....	69
12.3.1	DMSL-AT address elements.....	69
12.3.2	DMSL-AT Status elements.....	69
12.3.3	DMSL-AT entries.....	70
12.3.4	File Names.....	73
12.3.5	Structure of the publication in the DMSL-AT.....	73
12.4	Data Module.....	74
12.5	Illustrations.....	74
12.6	Publication Module.....	74
12.7	Scope of delivery.....	74
12.7.1	CSDB und IETP-X-AT.....	74
12.7.2	Delivery media and content structure for the delivery.....	75
12.7.3	Initial Load.....	75
13	Information for formatting of publications.....	76
13.1	Presentation of warning, caution und note.....	76
14	Glossary.....	77
15	List of Abbreviations.....	78
Appendix	Information code (English and German).....	80

1 General information

1.1 Introduction

The Specification S1000D™ (hereafter S1000D) is an international specification for the procurement and production of technical publications ("International specification for technical publication utilizing a common source database").

The use of S1000D together with the National Style Guide provides these benefits:

- Harmonized specification for all projects of the BMLV
- Standardized handling of national and international projects
- Base for a streamlining and standardization of Technical Publications within government and industry
- Standardized and integrated processes

1.2 Scope of the NSG-AT

The NSG-AT provides the national rules and standards for the uniform and continuous implementation and use of the S1000D within the responsibility of the BMLVS. The present version of the NSG-AT is based on S1000D Issue 2.3. The provisions of the NSG-AT apply to the preparation of new publications and to modifications of existing publications (legacy data). The procedure documents of the projects must be provided.

As far as covered by the NSG-AT, project-specific variations, extensions and processes will be defined in the project guidelines. The NSG-AT does not replace existing specifications. Refer to Chap. 1.4. In case there are no project-specific regulations, the information and definitions contained in the defined issue of S1000D will be applicable. For a uniform use and project communication, the formal rules are described in the Business Rules Exchange Data Module. Refer to Chap. 2.4.

1.3 Use of the NSG-AT

The National Style Guide is the mandatory document for the drafting of Technical Publications in accordance with S1000D to ensure a consistent database within the BMLV and to provide the guidelines for a correct processing and reproduction of the source data.

It should be noted that all regulations with reference to S1000D, which were valid at the time of the publishing of the NSG-AT, shall be binding.

Explanations and definitions on procedures and data are given in this document if they are required for a proper understanding, must under the terms of S1000D be defined in the project guidelines or are not explicitly regulated in S1000D. The repetition of contents of S1000D and S2000M has been avoided as far as possible.

1.4 Reference documents

The NSG-AT is applicable to the following procedures and documents:

- S1000D Issue 2.3 dated 28.02.2007/ Issue 2.3.1 dated 01.02.2009
- S2000M, Chapter 1 Issue 4.0 dated 31.01.2005

1.5 Document language

The language of the original document is German. English technical terms and abbreviations from the reference documents are not translated, but used in their original language. This includes the term Data Module, for example.

1.6 Document classification

This document is not subject to any level of confidentiality.

1.7 Document changes

The responsibility for changes to the NSG-AT lies with the MSL/BO. Suggestions for changes must be submitted to the MSL/BO.

1.8 List of terms

The definitions used in the NSG-AT correspond to the terms in the Glossary and are also presented here for reference purposes:

CONTRACTOR	refers to "Industry"
CLIENT	refers to "BMLV"
INDUSTRY	refers to "CONTRACTOR and Partner Company"

If times and intervals are given in days, this implies working days.

The above definitions and abbreviations are also applicable to the front matters including the title page.

1.9 Other applicable documents

VA NSG-AT S2000M in the currently available version.

1.10 Project regulations

Every project documents its specific regulations in a tracable method, for example in a "Projectguideline". It comprises at least the agreed issue of S1000D used in the project, the used model identification code(s), language, security classification, scope of delivery (eg, data module types, DMSL, required publications and publication modules), quality assurance requirements and further agreements.

2 Use of S1000D

2.1 Issue of S1000D

Project within the BMLV have to be based on S1000D issue 2.3. This can be subject to a future change.

If a different issue of S1000D is contractually agreed, the NSG-AT has to be applied analogously and documented.

The specification and the corresponding XML Schemas can be downloaded from:

<http://public.s1000d.org/Downloads/Pages/S1000DDownloads.aspx>

2.2 Data Module concept

S1000D is based on the use of internationally accepted standards in accordance with the International Organization for Standardization (ISO) and World Wide Web Consortium (W3C). The information is prepared, stored and exchanged in a neutral format and in modular form, called a "Data Module".

A Data Module is the smallest self-contained information unit in a Technical Publication. The Data Modules used for the publication of different products are gathered and managed in a Common Source Database (CSDB). S1000D data in the CSDB is not duplicated when it is used for different products and publications.

2.3 XML – Terms and definitions

XML-Extensible Markup Language (REC-xml-20060816 W3C Recommendation: eXtensible Markup Language (XML) 1.0 (Fourth Edition) is used as the data format and markup language for the preparation of Data Modules.

2.3.1 Encoding

The attribute encoding defines the coding of the XML document. UTF-8 is the default encoding for XML and also for S1000D Data Module. It should be noted that the defined encoding must be supported by the parser.

2.3.2 Structure

XML is a set of rules for encoding documents and used to describe publication structures governed by a document Type Definition (DTD) / XML schema. These define the generic build of publications from a structure of elements, attributes and referenced elements, such as graphics or multimedia components. The XML schemata in S1000D Issue 2.3 must be used; although Issue 2.3.1 is preferred due to error corrections. Refer to Chap. 4.1.

2.3.3 Layout and formatting

Layout and formatting are not given in XML but presented in a browser, (eg, IETP-X-AT) or a paper publication.

2.3.4 Method of writing

- XML **Element** in blue in pointed brackets after the word "Element" (eg, Element <applic>)

- **Attribute** in black without quotation marks and brackets after the word "attribute" (eg, attribute @xrefid)
- **Value** in blue in quotation marks after the word "Value" (eg, Value "Value_1")

2.4 Business rules exchange - BREX Data Module

The BREX Data Module describes the national and project-specific rules for the content of the Data Module, and therefore supports a standardized use of S1000D in a project. Refer to S1000D Issue 2.3, Chap. 4.10.

2.4.1 Use of the BREX Data Module in the NSG-AT

For projects using S1000D Issue 2.3, a BREX Data Module is required. For the scope of the NSG-AT the Data Module DMC-XY-A-00-00-00A-022A-D is available from MSL/BO.

3 Interaction of S1000D with other specifications

For the purpose of an Integrated Logistic Support, the NSG-AT describes the interaction with the logistic disciplines, as far as this is of relevance for the preparation and maintenance of Technical Publications. A detailed specification will be done when required by the projects.

3.1 Logistic Support Analysis

If a Logistic Support Analysis (LSA) has been performed, a reference in the Data Module to the relevant LSA Task is required to facilitate traceability and a change service.

For this purpose, the element System Breakdown Code (SBC) in the Data Module is used to store the LSA Task Code. Refer to Chap. 6.2.10

In any case, a reference list must be provided (for example in Excel), with references from the LSA Task to the Data Module, and vice versa.

3.2 Katalog der Materialerhaltungstätigkeiten (KMET)

In case of a given KMET, the consistency between the material maintenance activities corresponding to the KMET and the Data Modules used for Technical Publications must be ensured.

3.3 S2000M

S2000M is an international specification for material management and integrated data processing for military equipment. It contains details for the data preparation and regulates the data exchange between the armed forces and the industry.

For S1000D projects, the relevant sections are Chapter 1A Provisioning and Chapter 1B NATO Codification. The publication of the Illustrated Parts Catalogue is done in the form of Illustrated Parts Data (IPD) Data Module, based on the material data as defined in S2000M Issue 4.0. The data within the Illustrated Parts Catalogue form the interface to the information systems used for material management.

In case another version of S2000M is contractually agreed for the project, the interface to S1000D has to be detailed in the project guidelines.

Note:

When using S2000M issue 2.1 and Issue 3.0 the definition of the SNS is 6 digits numeric, when using S2000M issue 4.0 the definition of the SNS is 9 digits alphanumeric.

4 CSDB objects

4.1 CSDB objects and Data Modules

The following CSDB objects and Data Module types are the subject of this NSG and are to be used in accordance with the agreed S1000D Issue. Each object contains its own SGML document type definition (DTD) or its own XML schema.

Type	S1000D Issue					
	1.8	1.8.1	1.9	2.0	2.3	2.3.1
Descriptive Data Module	x	x	x		x	x
Procedural Data Module	x	x	x		x	x
Illustrated Part Data Module	x	x	x		x	x
Fault Information Data Module	x	x	x		x	x
Crew (Aircrew) Data Module		x	x		x	x
Maintenance Planning Data Module	x	x	x		x	x
Wiring Data Data Module				x		
Wiring Data Description Data Module				x		
BREX Data Module					x	x
Technical Information Repository					x	x
Data Module List (DML)*	x		x		x	
Data Dispatch Note (DDN)	x		x		x	
Comment					x	
Publication Module					x	

*) In addition, the DMSL-AT, is permitted for the NSG-AT. Refer to Chap. 4.9.

4.2 Data Module (DM)

The NSG-AT covers the following Data Module types and their related illustrations for maintenance, repair, operation and materials.

The S1000D Document Type Definitions (DTD) and the indicated Public Identifiers of Issues 1.8, 1.8.1 and 1.9 must be used for the Data Modules.

DTD	Public Identifier
1.8	"-//AECMA//DTD AECMA 1000D xxxxxx 19990131//EN"
1.8.1	"-//AECMA//DTD AECMA 1000D xxxxxx 20000531//EN"
1.9	"-//AECMA//DTD AECMA 1000D xxxxxx 20010401//EN"

For Issue 2.3 or Issue 2.3.1, the XML flat schema must be used. Refer to S1000D Issue 2.3, Chap 7.3.1.3:

xsi:noNamespaceSchemaLocation=

["http://www.s1000d.org/S1000D_2-3/xml_schema_flat/dm/Schemaname.xsd"](http://www.s1000d.org/S1000D_2-3/xml_schema_flat/dm/Schemaname.xsd)

or

xsi:noNamespaceSchemaLocation=

["http://www.s1000d.org/S1000D_2-3-1/xml_schema_flat/dm/Schemaname.xsd"](http://www.s1000d.org/S1000D_2-3-1/xml_schema_flat/dm/Schemaname.xsd)

- Descriptions

Descriptive Data Modules are to be used for the description of technical content. They contain no parts data.

- Procedures

Procedural Data Modules are to be used for maintenance and repair procedures. They contain no descriptive information. For parts information, references to IPD Data Modules are made.

- Fault search

Fault information Data Modules are to be used for the description of fault reporting and fault isolation procedures.

- Scheduled maintenance – Inspections

Schedule Data Modules are to be used for the description of inspections and limits. The project guidelines can define the use of a standard template for inspections in a descriptive Data Module.

- Operation / Crew information

Crew Data Modules are to be used for operational descriptions. If necessary, other Data Module types must be used also. Refer to S1000D issue 2.3, Chap. 5.2.3.

- Illustrated parts data

IPD Data Modules contain the parts data and component information. They are part of an Illustrated Parts Catalogue (IPC), but can also be included in Equipment Publications.

- Electric

Wiring Data Modules or descriptive Data Modules can be used to provide electric information.

Note:

Project specific changes to the S1000D DTD / schema and directory path names are not permitted.

Note:

Some XML validating tools require in addition, within the DOCTYPE statement the declaration of entity %ISOEntities, which points to the definition of ISO character entities in XML form. For delivery these are not required for the delivery as this could cause warnings in the IETP-X-AT load process. Refer to Chap. 12.7.

4.3 Technical information repository

For the preparation of manufacturer data, the technical information repository – organizations information is used. This data can be transferred into IETP-X-AT as an index of manufacturer data. Refer to Chap. 8.6.4.

4.4 Commenting (COM)

For the preparation and communication of fault reports and comments to Data Modules, the commenting module is used. The NGT-AT does not support the Technical Publication Improvement and Reply Form (TPIRF) in accordance with S1000D Issue 1.7. Project-specific regulations for the commenting are possible.

4.5 Publication Module (PM)

The Publication Module defines the contents and structure of the Data Modules for a publication in a browser or for the production of a paper publication.

4.6 Data exchange

For the electronic exchange of Data Modules and CSDB information with the CSDB system, the "file based transfer" defined in S1000D is used. An S1000D file-based transfer package consists of one Data Dispatch Note text file and at least one file out of these set of given data categories:

- one or more Data Modules with the appropriate illustrations/other information and/or
- a CSDB Configuration List (CSL) and/or
- a Data Module Requirement List (DMRL or DMSL-AT) and/or
- one or more Comments Forms and/or
- one or more Publication Modules

4.6.1 File names and file types

The convention for file names corresponds to S1000D specifications, as follows:

Type-Control_Number.Format

Type	Meaning
DDN	Data Dispatch Note
DMC	Data Module Text
ICN	Illustration and external data
DML	Data Module List
COM	Comment Form
PMC	Publication Module

Control_Number:

The identification name (eg, Data Module Code) is written with hyphens. The DMC is extended with "underscore", the 3-digit Issue Number, "hyphen" and the inwork number.

Format:

"**SGM**", denoting text marked up with SGML in accordance with the corresponding DTD

"**XML**", denoting text marked up with XML in accordance with the corresponding DTD or Schema

"**CGM**", denoting 2D CGM graphics based on S1000D CGM profile (Issue 2.3 given in Chap. 7.3.2)

"**TIF**", denoting Tagged Image File Format (TIFF) binary raster graphics encoded in CCITT/4 based on S1000D TIFF profile (Issue 2.3 given in Chap. 7.3.2), or LZW encoded coloured raster graphics in accordance with Adobe TIFF 6.0 specification

"**JPG**", denoting Joint Photographic Expert Group (JPEG) raster graphics encoded in accordance with ISO/IEC 10918

"**PNG**", denoting Portable Network Graphics (PNG) raster images encoded in accordance with W3C REC-png-20031110 and ISO/IEC 15948:2003

"**GIF**", denoting Graphic Interchange Format (GIF) raster images encoded in accordance with CompuServe GIF 89a specification

"**PDF**", denoting documents encoded in accordance with Adobe Portable Documents

"**AVI**", denoting multimedia objects encoded in accordance with Audio Video Interleave. Project-specific regulations are required. The IETP-X-AT requirements are to be considered.

"**PPT**", denoting documents encoded in accordance with Microsoft PowerPoint. Project-specific regulations are required. The IETP-X-AT requirements are to be considered.

In agreement with the client, illustrations can be provided as SVG (Scalable Vector Graphics) in accordance with <http://www.w3.org/TR/2018/CR-SVG2-20181004/> instead of CGM. The details must be part of the specific project regulations.

Rules for additional multimedia objects are currently not given in the NSG-AT, as their use depends on the functionality of the IETP-X-AT browser. The specification of format versions (eg, for PPT) is subject of the project guidelines.

For Data module and Publication Module, the CONTROLNUMBER can be further extended by the following sequence:

- underscore
- language code (content of attribute language of element <language>)
- hyphen
- country code (content of attribute country of element <language>)

Example:

Data Format	File Name Examples
Standard Generalized Mark-up Language (SGML)	DMC-E2-A-72-10-60-00A-520A-A_001-00_SX-US.sgm
eXtensible Mark-up Language (XML)	PMC-AE-I9005-1000D-00_001_02.xml DMC-H5-A-00-00-00-01A-001B-D_001-00_de-AT.xml
Computer Graphics Metafile (CGM)	ICN-A1-A-532510-D-F6117-00001-A-01-1.cgm
CALS Raster (CCITT Gr 4)	ICN-1B-A-270000-M-C0419-00002-A-02-3.cg4

Tagged Image File Format (TIFF)	ICN-E2-A-723200-R-K0378-00003-A-03-2.tif
Graphics Interchange Format (GIF)	ICN-E2-A-721060-R-K0378-00066-A-01-1.gif
Portable Network Graphics (PNG)	ICN-AE-A-004005-0-I9005-00001-A-01-1.png
Joint Photographic Experts Group (JPEG)	ICN-1B-B-291101-M-C0419-00571-B-01-1.jpg
Portable Document Format (PDF)	ICN-AE-A-07050100-0-I9005-00002-A-03-1.pdf
Multimedia Format (AVI or PPT)	ICN-AE-A-005004-0-E8010-00001-A-01-1.avi ICN-AE-A-005004-0-E8010-00001-A-01-1.ppt

4.7 Data Dispatch Note (DDN)

The CSDB system uses the DDN in accordance with S1000D. The reduced form of the DDN (only "mandatory" elements) and the complete form (with Element <delivlst>) are supported. The NSG-AT gives only the definition according to Issue 2.3; the details are included in Chap. 12.1.

4.8 Data Module Lists (DML) – S1000D

The description of the DML is included in Chap. 12.2.

4.9 Data Module Structure List – Austria (DMSL-AT)

The DMSL-AT is an extension of the DML in accordance with S1000D and provides additional functionalities. The DMSL-AT is the binding method of the NSG-AT for the preparation and transfer of the Data Module Lists. Deviations are not permitted, as these may have serious consequences in running the CSDB processes. Details are included in Chap. 12.3.

5 Data Module Code

5.1 Overview

The Data Module Code (DMC) is the unique and structured identifier of a Data Module. The DMC comprises up to 37 alphanumeric characters and is built up as shown in S1000D Issue 2.3, Chap. 4.3. Its minimum length is 17 characters.

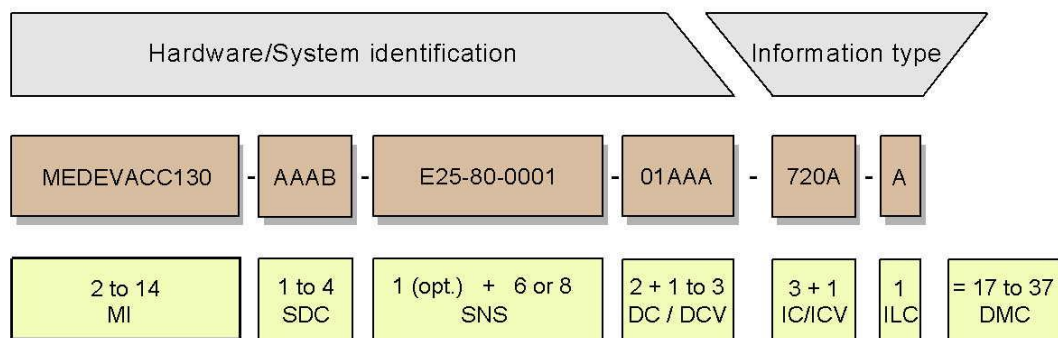


Fig 1 S1000D Issue 2.3, Chap. 4.3

5.2 Data Module Code

Element: <dmc> (M)

Use mandatory

The DMC is contained in the identification section of the Data Module. Only the branch <avee> (Air Vehicle, Engine, Equipment) is used. The branch <age> is not used.

5.2.1 Model Identification (MI) Code

Element: <modelic> (M)

Use mandatory

The CONTRACTOR is responsible for the allocation of the Model Identification (MI) Code. Registration is applied for at NSPA (refer to S1000D/S2000M) and is to be agreed with the CLIENT.

Use of more MI Codes in one project is permitted, especially in case of multiple-use equipment, systems or publications, so as to avoid a recoding and rework of information.

The list that follows gives examples of MI Codes that are already registered and used, and are applicable to Austria:

MI Code	Description
4E	R&S M3AR Series (tbd in future)
4F	R&S M3SR Series 4400 (Radio for stationary/shipborne application)
4G	R&S M3TR Series 3000 (Radio for tactical application)
A3BAT	Artouste IIIB Engine- AT Version for Austrian AF
AATMEDEVAC	MEDEVAC-Modul for Austrian AF (Air Ambulance Technology)
ATC130K	Hercules C-130K MK1 Austrian Air Force
ATE1B	Eurofighter Aircraft AT Version
ATEE2	Engine EJ200 AT Version
ATMILFLFU	Militaerischer Flugfunk (Military-Air-Traffic-Control Radio System)
ATP25	Pratt & Whitney PT6A-25A Turboprop Gas Turbine Engine Austrian Airforce
ATP27	Pratt & Whitney PT6A-27 Turboprop Gas Turbine Engine Austrian Airforce
ATP3	Pratt & Whitney PT6T-3 Twinned Turboshaft Engine Austrian Airforce
ATPC6	Austrian Air Force Pilatus PC-6 Turbo Porter
ATPC7	Austrian Air Force Pilatus PC-7 Turbo Trainer
ATPT6A25A	Pratt & Whitney PT6A-25A Turboprop Gas Turbine Engine Austrian Airforce
ATPT6A27	Pratt & Whitney PT6A-27 Turboprop Gas Turbine Engine Austrian Airforce
ATPT6T3	Pratt & Whitney PT6T-3 Twinned Turboshaft Engine Austrian Airforce
ATS1B	Eurofighter Simulator Austrian Airforce
AUSB	Air Material Staff Training Publications
CK	Lockheed C-130K, AT Version
CMMAB212	Component Maintenance Manual Repository for Agusta/Bell AB-212 Helikopter of the Austrian Air Force
CMMPILATUS	Component Maintenance Manual Repository for Pilatus, Aircraft of the Austrian Air Force
CMMS105OE	Component Maintenance Manual Repository for Saab 105 O of the Austrian Air Force
CMMS70	Component Maintenance Manual Repository for Sikorsky S-70A-42, Black Hawk of the Austrian Air Force
CW	CONRAD – Truppenfunk (Combat Net Radio - troop radio) für BS-710NC, Zubehör, Kabel
EFSAT	Eurofighter Simulator Austrian Airforce
ESS	Engineering Support System AAF
FZ	Militaerischer Flugfunk (Military-Air-Traffic-Control Radio System)

FRQ	Frequentis System
FRQ3020	Frequentis 3020 Platform (Voice Communication System Platform)
FRQDIVOS	Frequentis DIVOS (Distributed Information and Voice Operating System)
GSS	Ground Support System AAF
H4	Sikorsky S-70A-42, Black Hawk, AT Version
H5	SA-316B, Alouette III, AT Version
H6	Agusta/Bell AB-206A Helicopter, AT Version
H7	Agusta/Bell AB-212 Helicopter, AT Version
H8	Bell OH-58, Kiowa, AT Version
H9	ÖBH Luftfahrzeug
HS	HST21D (Hydraulic Servicing Trolley) Test-Fuchs
HST21D	HST21D (Hydraulic Servicing Trolley) Test-Fuchs
IU	MINI- UAS (Unmanned Aerial Systems) for Austrian AF
IW	MEDEVAC-Modul for Austrian AF (Air Ambulance Technology)
KT	EQ-MBT10-EF2000 (MIL-BUS Cable Tester) Test-Fuchs
L8	Austrian LINK16 Ground System
LIBAT	LIBELLE G-MULTIPLUS® for Austrian AF
MEDEVACC130	MEDEVAC-Modul for Austrian AF C-130K (Air Ambulance Technology)
MSL	Materialstab Luft
MSLVA	Air Material Staff Organisational Orders
MSS	Mission Support System AAF
NSGAT	National Style Guide Austria NSG-AT
PARAT	Precision Approach Radar AT Version for Austrian AF
PC6	Austrian Air Force Pilatus PC-6 Turbo Porter
PC7	Austrian Air Force Pilatus PC-7 Turbo Trainer
PSATAT	Persönliche Schutzausrüstung Techniker AAF (Personal Protective Equipment Technician AAF)
Q2	Sender/Empfänger RT-9101A (Receiver-Transmitter RT-9101A)
Q3	Sender/Empfänger RT-9101A /3A (Receiver-Transmitter RT-9101A/3A)
Q5	Einbausatz Kfz/GKGF VRC-905A (Clip-in) 10W (VRC-905A Installation Kit Vehicular/GKGF, Clip-in) - AD-1228A
Q6	Einbausatz Kfz/GKGF VRC-950A 50W (VRC-950A High Power Single Fit Vehicular Clip-in) - VA-9102-2A, VA-9102-3A
Q7	Einbausatz Kfz/GKGF VRC-980A 10/50W (VRC-980A High Power Dual Fit Vehicular) - VA-9104A
Q8	Funkgerätesatz ARC-906A 5/10W (ARC-906A Airborne 10W) - C-6200F
Q9	Leistungsverstärkersatz AM-9150A (AM-9150A External Amplifier Set)
QB	Sender/Empfänger RT-710NC (Receiver-Transmitter RT-710NC)

QD	Einbausatz Handfunkgerät VRC-710A (Clip-in) 2W (VRC-710A Low Power for Handheld Radio) - AD-710A
QE	Einbausatz Handfunkgerät VRC-710/20A (Clip-in) 20W (VRC-710/20A for Handheld Radio) - AD-710-20A
QF	Funkzugangsknoten RAP-9001 (RAP Radio Access Point for Fixed Network) - VRG-1006
QG	Fernbediensatz GRA-7400 (GRA-7400 Remote Control Set) - GRA-7410, GRA-7420
QH	Datenladegerät G-10N (G-10N Data Loader)
S1	Saab 105 O
S1B	Eurofighter Simulator Austrian Airforce
TAALLG	Technische Anweisung, Allgemeine (technical order, general)
TAATC130K	Technische Anweisung (technical order), Hercules C 130K MK1 Austrian Air Force
TAATE1B	Technische Anweisung (technical order), Eurofighter Aircraft AT Version
TAATPC6	Technische Anweisung (technical order), Austrian Air Force Pilatus PC-6 Turbo Porter
TAATPC7	Technische Anweisung (technical order) , Austrian Air Force Pilatus PC-7 Turbo Trainer
TAEFSAT	Technische Anweisung (technical order), ASTA
TAGSE	Technische Anweisung (technical order), GSE/AGE
TAH4	Technische Anweisung (technical order), Sikorsky S 70A 42, Black Hawk, AT Version
TAH5	Technische Anweisung (technical order), SA-316B, Alouette III, AT Version
TAH7	Technische Anweisung (technical order), Agusta/Bell AB-212 Helikopter, AT Version
TAH8	Technische Anweisung (technical order), Bell OH-58, Kiowa, AT Version
TALIBAT	Technische Anweisung, Mannesausrüstung (technical order, personal equipment)
TANV	Technische Anweisung (technical order), Night Vision
TAS1	Technische Anweisung (technical order), Saab 105 Ö
TRA	MINI- UAS (Unmanned Aerial Systems) for Austrian AF
TRAS	MINI- UAS Simulator (Unmanned Aerial Systems) for Austrian AF
TRAUT	MINI- UAS (Unmanned Aerial Systems) for Austrian AF
XX	Einlageblatt, AT
XY	National Style Guide Austria NSG-AT
YY	Technische Anweisung, AT
ZZ	Luftfahrttechnische Publikation, AT

5.2.2 System Difference Code (SDC)

Element: <sdc> (M)

Use mandatory

Use in accordance with S1000D. The SDC is to be populated with up to four alphanumeric characters and must be defined by the project. The assignments must be documented in the project guidelines.

5.2.3 Standard Numbering System (SNS)

Elements:

System	<chapnum> (M)
Subsystem, Sub-subsystem	<section>, <subject> (M)
Unit of Assembly	<subject> (M)
Use mandatory	

The Materiel Item Category Code (MICC) is an optional identifier in the SNS Element <chapnum>. It is used to identify different SNS structures within one product. This is particularly important when different SNS structures shall be used under one MI.

The element <subject> must be populated with two or four alphanumeric characters and must be documented in the project guidelines.

The definition of the system breakdown structure is the task of the individual projects and is to be documented in the project guidelines. Basis for the system breakdown are the "maintained SNS" in accordance with S1000D Issue 2.3, Chap. 8.2. Deviations or project-specific definitions are possible, when this is required by the product design or not sufficiently or not appropriately defined in S1000D.

5.2.4 Disassembly Code (DC)

Element: <discode> (M)

Use mandatory

The DC identifies further breakdown conditions of an assembly to which maintenance information applies. It is also used for additional differentiation or sequential numbering.

The standard value is 00. The characters are typically numeric. However, they can be extended when more than 99 identifiers are needed. The extension must commence "A1" to "A9", "B1" to "B9" and so on until "Z9" continuing with "AA" to "AZ", "BA" to "BZ" and so on until "ZZ".

5.2.5 Disassembly Code Variant (DCV)

Element: <discodev> (M)

Use mandatory

The DCV is used to differentiate minor changes in design. The DCV is populated with one character. Usually alpha characters are used: A, B... Numerical values are permitted (eg, in the Illustrated Parts Data Module).

5.2.6 Information Code (IC)

Element: <incode> (M)

Use mandatory

The permitted information codes are given in the appendix in English and German.

If additional product-specific information codes are required, these are to be officially requested by the CONTRACTOR and can only be used after approval by S1000D.

The project-specific use of available information codes (identified in the list as “not given”), which is permitted in accordance with S1000D, is excluded by the NSG-AT.

5.2.7 Information Code Variant (ICV)

Element: <incod~~ev~~> (M)

Use mandatory

The ICV describes IC variants using alpha characters A, B... The information code variant identifies any variation in the activity defined by the information code. The default information code variant is always coded "A", successive variants are coded B, C, etc. The ICV is also used to differentiate Data Modules with the same coding (eg, in the front matters, introduction) for different publications.

5.2.8 Item Location Code (ILC)

Element: <itemloc> (M)

Use mandatory

- "A" - Information related to items installed on the product
- "B" - Information related to items installed on a major assembly removed from the product
- "C" - Information related to items on the bench.
- "D" - Information related to all three locations A, B, and C.
- "T" - Information related to training-only data modules
- The value “Z” is used in S1000D to indicate that one of the above values is permitted for the ILC. “Z” is not a permitted value for the ILC in a Data Module.

Note:

For the IPD Data Module ILC = “D” is used.

5.2.9 DMC writing

The data module code must be presented with hyphens [-] in the positions as shown:

H7-A-06-10-00-00A-030A-A

For the naming conventions of file names refer to Chap. 4.6.1.

6 Data Module identification and status section

Element: <idstatus> (M)
Use mandatory

6.1 Data Module identification

Element: <dmaddres> (M)
Use mandatory

6.1.1 Data Module code extension

Element <dmcextension> (O)
Not required
This element is not used.

6.1.2 Data Module code

Element <dmc> (M)
Use mandatory
For details refer to Chap. 5.

6.1.3 Data Module title

Markup Element: <dmtitle> (M)
Use mandatory

Technical name (Techname)

Element: <techname> (M)
Use mandatory

The content of the element <techname> must reflect the nomenclature of the hardware or function. That is, it shall reflect the system, subsystem or sub-subsystem concerned.

When using the “maintained SNS“ in accordance with S1000D, the title of the S1000D has to be used. Deviations are to be documented in the project guidelines.

For current and company publications (Legacy Data), the chapter title can be used. Chapter titles reproducing the information content (testing, transfer...) for identical system breakdowns are included in the information name.

For a given Model Identification Code the Technical Name must be defined unambiguously for a SDC/SNS/DC/DCV combination. For Illustrated Parts Data Modules this should be aimed at least for the SNS.

Information name (Infoname)

Element: <infoname> (O)
Use mandatory

The element <infoname> is linked to the information code. It defines the technical content of the Data Module and is to be given with the official definition of the information code in the language that is defined as the Data Module' language in element <language>. For English, the definition in S1000D Issue 2.3, Chap. 8.4 is applicable. A list of information codes with English and German definitions is included in the Appendix.

Note:

By using the information code variant amendments to the information name are possible as long as the original sense is maintained. These have to be documented in the project guidelines.

6.1.4 Issue number

Element: <issno> (M)

Use mandatory

Attributes:

- @issno: Sequential number beginning at 001 (M)
- @type: Issue type in accordance with S1000D (M)
- @inwork: Inwork number of unreleased Data Modules (O)

Issue type:

- Data Module with issue number "001" contains issue type "new".
- Changed Data Modules with issue numbers from "002" contain issue type "changed" including change marks.
- The issue type "revised" may only be used for totally revised (eg, changes of over 50 %) Data Module. Changes of several parts of a Data Module are not sufficient to mark it "revised". Change Marks are not used with this Issue Type.
- Data Module with issue type "deleted" are kept in the CSDB system, but are removed from the publication for display or printing (Info Object or PM).

Note:

A change of the graphic format causes a change of the Issue Number.

6.1.5 Issue date

Markup Element: <issdate> (M)

Use mandatory

Example:

<issdate year="2007" month="12" day="24"/> indicates 2007-12-24

6.1.6 Language

Element: <language> (O)

Use mandatory

Coding within the scope of the NSG-AT (language code, 2 alpha characters from ISO 639 and country code, 2 alpha characters from ISO 3166):

<language language="en" country="GB"/>
Language English, Country Great Britain

<language language="sx" country="GB"/>
Language Simplified English with Oxford English

<language language="de" country="AT"/>
Language German, Country Austria

<language language="de" country="DE"/>
Language German, Country Germany

6.2 Data Module status

Element: <status> (M)

Use mandatory

6.2.1 Security classification

Within the responsibility of the BMLV the applicable version of the “**Geheimhaltungsvorschrift (GehSV)**“ must be used for classified national and as well international information.

Element: <security> (M)

Use mandatory

The security classification allocated to the complete Data Module is defined in the numerical attribute @class (M).

@class	ÖBH	NATO	EU
01	nicht ausgezeichnet	NATO UNCLASSIFIED	nicht ausgezeichnet
02	EINGESCHRÄNKT	NATO RESTRICTED	RESTREINT UE/ EU RESTRICTED
03	VERTRAULICH	NATO CONFIDENTIAL	CONFIDENTIEL UE/ EU CONFIDENTIAL
04	GEHEIM	NATO SECRET	SECRET UE/ EU SECRET

The classification of data module from international organizations is retained.

If a project requires classification for ÖBH and NATO or EU in parallel, the attribute @class can have the additional values 51, 52, 53, 54 and 61, 62, 63, 64.

Example:

Model Identification Code = A:

01, 02, 03, 04 ÖBH classification

51, 52, 53, 54 NATO classification

Model Identification Code = B:

01, 02, 03, 04 NATO classification

51, 52, 53, 54 ÖBH classification

61, 62, 63, 64 EU classification

The presentation of the classification (ÖBH, NATO, EU) is done during output and depends on the Model Identification Code.

The CONTRACTOR is responsible for the correct classification.

The security markings of the GehSV must be used for documents, which are supplied by the ÖBH to CONTRACTORS in other nations.

The marking is done by the attribute @caveat (O), permitted values are “cv51“ to “cv99“ and must be documented in the Project Guideline.

For a commercial security classification, such as "Commercial In Confidence", the attribute @commcls (O) must be used, permitted values are "cc51" to "cc99" and must be documented in the Project Guideline.

6.2.2 Data restrictions

Element: <datarest> (O)

The Subelement <expcont> contains the marking of Data Module affected by International Traffic in Arms Regulations (ITAR) or Export Administration Regulations (EAR).

Coding <expcont>1</expcont>

In addition a standard export control statement with reference to a Data Module with further information is included in <remarks>. Refer to Chap. 6.2.13.

6.2.3 Data Module size

Element: <dmsize> (O)

Not required

This element is not used.

6.2.4 Responsible partner company

Element: <rpc> (M)

Use mandatory

The NATO Commercial And Government Entity (NCAGE) code or company name of the organization responsible for the Data Module must be inserted.

Companies can request the NCAGE from the National Codification Bureau.

It is sufficient to insert the NCAGE only.

Examples:

```
<rpc>1654N</rpc>
```

or

```
<rpc rpcname="MSL"></rpc>
```

Note:

If no other entry is defined, the NCAGE of the CLIENT is used. Companies contracted to transform legacy publications to S1000D must give the NCAGE of the CLIENT.

6.2.5 Originator

Element: <orig> (M)

Use mandatory

The NCAGE code of the company or organization responsible for the content of the Data Module is to be inserted (also known as "Design Authority"). The NCAGE may be requested from the National Codification Bureau.

It is sufficient to insert the NCAGE only.

Note:

The originator is usually the organization producing the Data Module (or the one which is responsible for the production).

6.2.6 Applicability

Element: `<applic>` (M)
Use mandatory

The coding of the element `<applic>` is to be defined in the project guidelines.

Example for AB-212:

```
<applic> <type>Agusta Bell</type> <model model ="212"> <version version ="A"> </version> </model> </applic>
```

Example for Eurofighter:

```
<applic> <type>Eurofighter</type> <model model="Single"> <version version="AS"> </version> </model> </applic>
```

6.2.7 Technical standard

Element: `<techstd>` (O)
Not required

The element may be used in the project and has to be documented in the project guidelines.

6.2.8 Business rules reference (M)

Element: `<brefref>` (M)
Use mandatory. Refer to Chap. 2.4.1.

6.2.9 Quality assurance

Element: `<qa>` (M)
Use mandatory

The QA Status of the Data Module has to be inserted.

Approved Data Modules should indicate the QA Status “first verified, table top and on object”; they must at least indicate QA Status “first verified, table top”.

```
<qa><firstver type="ttandoo"/></qa>
```

or

```
<qa><firstver type="tabtop"/></qa>
```

6.2.10 System breakdown code / Functional item code / Functional item number

Element: `<sbc>` (O) or element: `<fic>` (O) or element: `<ein>` (O)
The population is optional and has to be defined by the project.

If LSA is carried out for the project, the element `<sbc>` is populated with the LSA control number and LSA task code.

Example:

Logistic control number: X123456

LSA Task Code: FFOGGHH

```
<sbc>X123456 - FFOGGHH</sbc>
```

If a Data Module includes several LSA task codes, these are separated by a semi-colon and given with the alternate LSA control number.

```
<sbc>X123456 1 FFOGGHH; X345678 A FFOGGJJ<sbc>
```

6.2.11 Skill level

Element: `<skill>` (O)

The population is optional and has to be defined by the project.

The attribute @skills contains the required qualification (skill level). For example, the following definitions of the attribute values are in use:

Attribute	S1000D	Meaning in MLLD	Meaning in Army
sk01	Basic / Grundkenntnisse	Militär-Luftfahrwart	Mechgehilfe
sk02	Intermediate / Fachkenntnisse	Militär-Luftfahrtwart I. Klasse	MechUO
sk03	Advanced / Erweiterte Fachkenntnisse	Militär-Luftfahrtmeister, Leitender Militär-Luftfahrttechniker	Technischer Offizier , MechUO/Werkmeister

6.2.12 Reason for update

Element: `<rfu>` (O)

The population is mandatory for Data Modules in issues 002 and following.

The element `<rfu>` contains the reason for updating the Data Module (eg, the listing of modifications, the SB number, the TA number, the change number, the comment number, or any other reference defined in the project).

The contents of the element `<rfu>` can be transferred to the highlight Data Module.

Example: `<rfu>`Revision 3: Change of Tolerances`</rfu>`

General statements which do not clearly declare the reason for the change are not permitted.

6.2.13 Remarks

Element: `<remarks>` (O)

The population is optional and has to be defined by the project.

Example 1:

For the transformation of the AB-212 publications, the element is used for the chapter number of the legacy paper manual.

Example 2:

Include general information for a Data Module affected by export control. In addition the remark includes a reference to the Data Module with further information, IC = 017C, and which refers to a Data Module containing the Export Control License, IC = 017D.

ITAR

“The information contained herein is authorized by the U.S. Government for export only to **[country of ultimate destination]** for use by **[end-user]** under **[license or other approval number or exemption citation]**, and may not be transferred to any other country or to any person other than the authorized end-user or consignee(s) without first obtaining approval from the U.S. Department of State or use of an applicable exemption.”

EAR

“This document contains Technology and/or Technical Data derived from U.S.-origin technology controlled under **[ECCN No]**, and may not be resold, diverted, transferred or otherwise disposed contrary to U.S. law is prohibited.”

7 Data Module content section

Element: <status> (M)
Use mandatory

7.1 Content section – Common constructs

7.1.1 In-line applicability

In-line applicability is permitted. It must be a subset of the definition in the status section. Clarity in the Data Module must be ensured. Within procedures, in-line applicability is only permitted on step level. When using in-line applicability no step must be omitted. If there are significant differences (several elements involved) in applicability, additional Data Modules must be prepared.

7.1.2 Special para (warning, caution and note)

- Element <warning> for hazard
- Element <caution> for caution
- Element <note> for notes

General warnings in the form of “warnings” and “cautions” are described in a separate Data Module (IC=012). Safety regulations to be followed before carrying out a procedure are included in the “preliminary requirements - safety conditions”. Warnings and cautions within the Data Module content must always precede the text to which they pertain.

The correct order is <warning> before <caution> before <note>.

Note:

Some legacy publications also contain the term “attention”. Dependent on the content, these are tagged in S1000D either as a <caution> or as a <note>.

7.1.3 Security classification

In-line security classification is not allowed.

7.1.4 Change marks and highlights

Changes in the Data Module must be identified by change marks and the element <rfu> must be used. Refer to Chap. 6.2.12.

Change information that applies to earlier issues is not kept within the Data Module, **only the latest changes in the Data Module** are maintained.

TOC, LOI, LOT etc., carry no change marks.

The S1000D defines the element <change> and the attribute @change to include Change Marks.

The element <change> is used for changes at “word” / “expression level”. It allows even the smallest details in the Data Module to be marked as changed. Information affected by the change (eg, a word) will be placed within the element <change>.

The attribute of the element <change> is equivalent to the attribute @change.

To identify changes in the Data Module at element level, the attribute @change is used. It is included as attribute in all relevant Data Module elements <para>, <step>, etc. and has to be used. Deletion of elements without using the attribute @change="delete" is **forbidden**.

Attribute @change:

- @change="add" for additions
- @change="modified" for changes
- @change="delete" for deletions

Attribute @mark:

- @mark="1" with mark – to be used
- @mark="0" without mark – not to be used

Attribute @level:

This attribute is not used.

Attribute @rfc:

This attribute is not used.

Note:

The attribute @change="delete" is used to emphasize deleted information of significance to the operation, (eg, deletions in the Flight Manual, deletions of step, deletions of paras and deletions of lists). The content of the deleted element will be replaced by "deleted" or "gelöscht".

The attribute @level="n" is not used because an issue of a Data Module contains only the latest revisions.

For changes in tables the individual rows are provided with change marks. However, when issued, the whole table is to be marked as changed. This also applies to changes in Warning, Cautions and Notes.

In illustrations, changes are marked at element level <sheet>. The element <rfa> is not used.

7.1.5 Lists

- Simple list<randlist prefix="pf01">
Presentation is without prefix.
- List with prefix <randlist prefix="pf02">
Presentation is with prefix (en-dash [-] or bullet [•]). A maximum of three levels is allowed.
- Sequential list <seqlist>
Presentation is ordered and must be numbered with Arabic numerals. One (only one) further subset is possible (eg, "1", "1.1").
The use in procedural Data Modules must be avoided (possibility of conflict with procedural steps).
- List with two columns <deflist>
<deflist> is used for identifications and definitions with a two-column layout.

Incomplete sentences in listings do not use punctuation marks [.] In special para only lists with [●] are used.

7.1.6 Captions

The element `<caption>` is used to represent displays, illuminated warnings and system messages of a system / equipment in crew Data Modules.

7.1.7 Title

The element `<title>` defines a heading in a descriptive Data Module (`<para0>`, `<subpara1>` to `<subpara7>`, `<table>` and `<figure>`).

In procedural Data Modules, aircrew and fault information Data Modules, the element `<title>` is included in the `<table>` and `<figure>` elements. The use of `<title>` in `<step1>` to `<step5>` is allowed.

References to the element `<title>` must not be used.

7.1.8 Table

The element `<table>` defines a table. The use of the element `<title>` is mandatory. The attribute `@id` is used when a reference is made to the element. Tables must not be used to replace graphics.

Lists in individual boxes are to be avoided, but must be included in the table structure.

7.1.9 Figure

Elements `<figure>`

Sub-elements:

<code><title></code>	Title of the illustration (mandatory)
<code><graphic></code>	Reference to graphic data with the Information Control Number (ICN)
<code><sheet></code>	Reference to sheet if figure is spread over several pages (optional)
<code><legend></code>	Legend of the illustration (optional)
<code><applic></code>	Not used
<code><rfa></code>	Reason for amendment; not used

Reference to the graphic data

Element `<graphic>`

Use mandatory

The element `<graphic>` includes the ICN of the illustration in the attribute `@boardno`.

The attributes `@reprohgt`, `@reprosci` and `@reprowid` define the height, scale and width of the illustration in the presentation system.

The sub-element `<hotspot>` defines the hotspot declaration. Refer to Chap. 7.1.11.

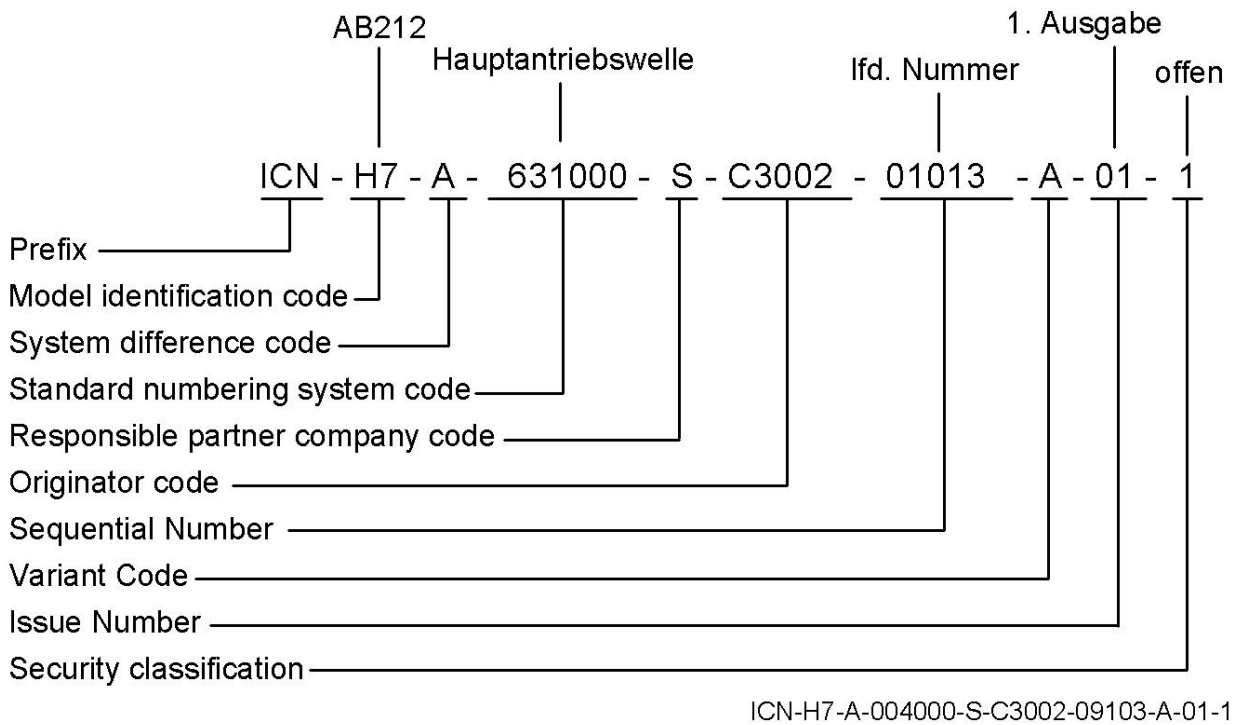


Fig. 2: ICN Structure

These rules are applicable to the information control number:

- The prefix “ICN” is a part of the information control number.
- The “responsible partner company code” is to be established in the project guidelines. S is reserved for use by the CLIENT.
- As “originator code”, the NCAGE of the originator analogue to the Data Module is used. Refer to Chap. 6.2.5.
- The "sequential number" is provided by the originator.
- In the ICN, the “security classification“ is a single digit. The standard value is “1”. Refer to Chap. 6.2.1.
- The complete ICN is a part of the illustration (illustration area) and is placed on the lower right border.
- The allocation of MI, SDC, SNS and RPC does not mean that the ICN has to be changed if an illustration or symbol is used unchanged in another Data Module.
- The provision of an illustration in a different or further graphic format causes no change of the Issue Number.

Note:

The information control number is part of the illustration and must be shown at each presentation but is not mandatory a part of the graphic data.

In illustrations, changes are marked at element level <sheet>.

S1000D rules are applicable for the layout of illustrations. Deviations must be documented in the project guidelines. Details for the illustration rules are documented in a graphic guide which is available upon request from MSL. For the

future, the use of 3D data is intended. Details have to be agreed in the Project Guideline.

Graphic formats:

The illustrations are to be delivered in Computer Graphics Metafile (CGM) ISO/IEC 8632 with WebCGM 2.0 profil.

In coordination with the project Scalable Vector Graphics (SVG) 1.1 according to <http://www.w3.org/TR/2011/REC-SVG11-20110816/> is also accepted .

For the in-line presentation of graphics in IETP-X-AT the supply of TIFF data has to be agreed in the project.

For coloured images (photos, graphics) JPEG, GIF and PNG can be used. The use cases are to be defined in the project guideline.

XCF companion File (XCF):

The XML companion file is not required as long as the hotspot definition is done explicit in the Data Module. For IPD Data Module without explicit hotspot definition, pay attention to Chap. 8.6.

PDF documents:

Adobe Portable Document Format (PDF) is to be used for referencing legacy documents. The referencing, storage and data exchange of PDF Files corresponds to the handling of illustrations.

The documents are to be indexed; their text contents may not be stored as images inside the PDF. The use of PDF documents is subject of an agreement with the CLIENT due to possible restrictions and must be documented.

Multimedia objects:

The use of multimedia objects is not yet detailed in this version of the NSG-AT and has to be agreed, if required.

Legends

Element <legend>

Legends are not part of the illustration but are defined in the element <legend> using the element <deflist>. Refer to Chap. 7.1.5.

Insertion of a legend:

- Insert an illustration
- Place the element <legend> within the element <figure>.
- The sub-element <title> (within the element <legend>) must not be used.
- Place the required number of sub-elements <term> and <def>.

Every single entry of the legend of the first column is placed in a sub-element <term> and every entry of the second column is placed in a sub-element <def>. A legend can include any number of bullet items.

Note:

The legends have to be tagged as hotspots to allow a referencing from the legend directly to the item number within the illustration.

The element <term> within the element <legend> is to be tagged with a hotspot. If there is no hotspot included in the element <term>, then the parsed character information is to be limited to the item number / letter of the alpha-key. Text in

prose may not be used here. In this case, the element `<def>` is to be used for the description (identification) of the item number / alpha-key.

Foldout

The element `<foldout>` is not used.

7.1.10 Symbols

Symbols can be used in any place in the text, in lists, in tables etc. The element `<symbol>` is to be used. The ICN is given in the attribute `@boardno`. The presentation of the ICN in symbols is not applicable.

7.1.11 Hotspot

Illustrations with item numbers, legends and similar references are to be provided with graphical hotspots.

The linking of the hotspots should function in the order text → graphic → legend. If item numbers (alphabetical and numerical) appear repeatedly in an illustration, all appearances are to be referenced.

Setup of a hotspot declaration

Using the element `<hotspot>` within the element `<graphic>` of a `<figure>`, a hotspot declaration is defined for the hotspot elements contained in illustrations (item number, alpha-key) and unique hotspots ID are assigned. This declaration defines the assignment of the ID of the graphic elements in the graphic data (`@apsid` and `@apsname`) to the hotspot ID used in the Data Module.

The entries `@apsid` and `@apsname` in the hotspot declaration in the Data Module must correspond to the hotspot elements (ID) of the relevant illustration. The automatic generation of the hotspot declaration in the Data Module from the ID of the relevant illustration is advisable. For a standardised allocation of the ID (`@apsid` and `@apsname`) in the illustrations and their hotspot declaration in the Data Module, the definitions in this style Guide are applicable.

The use of the element `<applic>` is not permitted in the element `<hotspot>`.

To set up a hotspot declaration, these steps must be followed:

- Insert an illustration
- Place the element `<hotspot>` within the element `<graphic>`.
- For the attribute `@id`, the "ID" of the hotspot must be provided (eg, "fig0001-gra0001-hot0001").
- For the attribute `@apsid`, the exact "ID" of each graphic element from the graphic data must be provided, (@, "hot0001" or "AUTOID_7563").
- For the attribute `@apsname`, the exact "name" of each graphic element from the graphic data must be given (eg, "1").

If there are several identical item numbers in an illustration (eg, position "3"), then each item number gets a unique hotspot ID ("hot0003", "hot0003a"; "hot0003b" etc.). However, to activate all identical item numbers together, the superior identification `@apsname` (eg, `apsname="3"`) is used for referencing.

The attribute `@apsname` must only be given when a group of hotspots is required.

These references for hotspots are allowed in accordance with S1000D Issue 2.3, Chap. 3.9.2.2:

- Text in a Data Module to an area of an illustration
- Text in a Data Module to several areas of an illustration
- Area of an illustration to the text of the Data Module
- Area of an illustration to another area of the same illustration
- Area of an illustration to an area of another illustration
- Area of an illustration to another Data Module
- Area of an illustration to specific information

For examples and further details on the use of the hotspot refer to S1000D Issue 2.3, Chap. 3.9.5.2.1.8.

7.1.12 Paras

The element `<para>` is used to capture text. An overview is given in S1000D Issue 2.3, Chap. 3.9.5.2.1.10.

7.1.13 End of Data Module

The end of the Data Module is marked with `</ dmodule>`.

7.2 Content section - References

7.2.1 Note on references

References provide the IETP user with possibilities to navigate within the Data Module and within the structure of the entire publication. References are highlighted and presented as coloured, active objects (links) in order to get the attention of the user. They are to be inserted only if necessary so as not to overload the IETP with functionality.

Hyperlinks to elements within another Data Module may only be used with reference to descriptive Data Modules and IPD Data Modules.

Hyperlinks into procedural Data Modules are not permitted, as there is the risk that hyperlinks not referencing to the start of the Data Module, prevent the user from recognizing important safety advice or required conditions.

7.2.2 Identification of a reference – Allocation of an ID

The target and designation are connected by a logical ID. Identification is done through an alphanumeric expression that must be identical to the attribute value in the linked elements. The identification is case-sensitive.

The following attributes are specified for identification:

- `@id`: Identification as attribute in the referenced destination element
- `@xrefid`: Identification as attribute in the reference (link) to the destination element
- `@refid`: Identification as attribute in the reference (link) to the destination element

The attribute value for identification is to be provided by the author.

The ID must be unique within a Data Module. ID previously provided and deleted in newer issues of a Data Module may not be reused.

The tag can be freely chosen according to S1000D. The following character strings are to be used and must be followed by a sequential counter that is unique within the Data Module, beginning with "0001":

- fig: for illustrations (element <figure>)
 - gra: for illustrations (element <graphic>) and sequential number of the ICN (5-digits)
 - sh: for illustrations on several pages (element <sheet>)
 - tab: for tables (element <table>)
 - par: for paragraphs (elements <para0>, <subpara1> to <subpara1>, <para>)
 - stp: for work steps (element <step1> to <step8>)
 - seq: for support equipment (element <supequi>)
 - sup: for supplies (element <supply>)
 - spa: for spare parts (element <spare>)
 - if: for isolated faults (element <ifault>)
 - df: for detected faults (element <dfault>)
 - of: for observed faults (element <ofault>)
 - ip: for steps in fault reporting procedures (element <isostep>)
 - ie: for final action in fault reporting procedures (element <isoend>)
 - ftn: for footnotes
 - figxxx-graxxxx-hotxxx: for hotspot declarations (element <hotspot> within the element <graphic>)
 - If the hotspot destination is an item number within the illustration, the hotspot declaration must be coded as follows:
 - fig0001-gra00001-hot0001
 - fig0001-gra00001-hot0002
 - etc.
 - If the hotspot destination is an alpha-key within the illustration, the hotspot declaration must be coded as follows:
 - fig0001-gra00001-hotA1
 - fig0001-gra00001-hotA2
 - fig0001-gra00001-hotB
 - fig0001-gra00001-hotC
 - etc.
- If the illustration includes several alpha keys with the same value.
- figxxx-graxxxx-texxxx: for legend term (element <legend>)

Note:

The counters only serve for the logical differentiation of a destination type and do not mandatorily express the sequential order of the destination elements in the Data Module. If additional destinations of the same type are inserted later, their ID is to be referenced to the highest number appearing in the Data Module. Previously fixed ID may not be changed or used again.

For better differentiation of the ID, the author can also provide descriptive identifications. The following rules are to be considered:

- The ID may only consist of standard characters (no umlauts or other special characters).
- The ID may not contain spaces.

When allocating the ID, the author must avoid names that reproduce an existing numbering of the reference destination (eg, chapter number), as the numbering of the whole IETP is done automatically on activation and can often change.

When defining references, it is important to ensure that a corresponding reference target exists or is generated.
The project-specific allocation of the ID has to be documented in the project guidelines.

7.2.3 Listing the references

Element: `<refs>` (O)
Use mandatory

The element lists the referenced Data Modules and Technical Publications:

- No references `<norefs>`
- References to Data Modules `<refdm>`
- References to publications `<reftp>`
A free text or a reference to a publication module is given.

Example:

```
<refs><reftp>Local Disposal Procedures</reftp></refs>
```

7.2.4 References to other Data Modules

Element: `<refdm>` (O)

The DTD/schemas specified in this Style Guide enable references to the following destinations in other Data Modules:

- Reference to another Data Module `<refdm>`
Reference to the beginning of a Data Module.
The element `<refdm>` includes the element `<avee>` (M) and the element `<dmtitle>` (O) with `<techname>`.
The element `<age>` and optional elements `<dmcextension>`, `<applic>`, `<issno>` and `<language>` are not used.
- Reference to a paragraph (`<para0>`, `<subparaX>`) in another Data Module `<refdm target="ID identification of the destination paragraph in the target Data Module">`. For allocation of the ID in the attribute `@target ID`, refer to Chap. 7.2.2.

7.2.5 References to other publications

Element: `<reftp>` (O)

The reference refers to the beginning of a publication. In the element `<pubcode>` the exact name of the publication or a publication module is to be given via `<pmc>`. The element `<applic>` is not used.

The encapsulation of legacy data / existing publications in a Data Module as PDF is permitted.

Details must be defined in the project guidelines.

7.2.6 Reference to a specific part in the IPC

Element: `<csnref>` (O)

The element `<csnref>` is available within the elements `<supequip>`, `<supplies>` and `<spares>` in the Preliminary Requirements.

Insertion is required if the part is included in the IPC.

In the element `<csnref>`, the following attributes are to be inserted:

`@refcsn`: (M) Catalogue sequence number `<csn>` in the IPD Data Module
(for references to chapterized and non-chapterized IPC)

- @refisn: (O) Item sequence number <isn> in the IPD Data Module
(for references to chapterized and non-chapterized IPC)
- @refipp: (M) Initial provisioning project number <ipp> in the IPD Data Module
(only for non-chapterized IPC)
- @refrpc: (M) Responsible partner company code
(single character, only for non-chapterized IPC)

The entry is case-sensitive.

The CSN is to be filled in without delimiter. Spaces are to be taken into account.
For non-chapterized IPC, the SNS (first 6 or 9 digits) is to be inserted with spaces.

7.2.7 References within the same Data Module

Element: <xref> (O)

This element <xref> is used for references within a Data Module. The attributes @pretext, @posttext, @refapplic are not used.

The type of reference line in the Data Module is defined by the attribute @xidtype.

- Reference to an illustration <xref xidtype="figure">
Reference to an illustration in the Data Module.
- Reference to a special sheet of an illustration <xref xidtype="sheet">
Reference to a sheet in an illustration in the Data Module.
- Reference to a table <xref xidtype="table">
Reference to a table in the Data Module.
- Reference to supplies <xref xidtype="supply">
Reference to supplies in the Data Module.
- Reference to a support equipment <xref xidtype="supequip">
Reference to a support equipment in the Data Module.
- Reference to a spare part <xref xidtype="spares">
Reference to a spare part in the Data Module.
- Reference to a step <xref xidtype="step">
Reference to a step in the Data Module. References are only permitted to previous steps.
- Reference to a paragraph <xref xidtype="para">
Reference to a paragraph in the Data Module.
- Reference to a hotspot <xref xidtype="hotspot">
Reference to a hotspot in the Data Module. Refer to Chap. 7.1.11.
- Reference to a other part <xref xidtype="other">
Reference to parts of the Data Module for which none of the other values apply.
- Reference to an illustration <xref xidtype="multimedia">
Reference to multimedia element in the Data Module.
- Reference to an illustration <xref xidtype="multimediaobject">
Reference to multimedia object in the Data Module.
- Reference to a parameter <xref xidtype="param">
Reference to parameter in the multimedia object in the Data Module.

References to a hotspot

- Hotspot references to a specific item number in an illustration (Hotspot)
<xref xidtype="hotspot">

The element <xref> is used with the attribute @xidtype="hotspot" to refer to an item number of an illustration within the same Data Module. The identifier to call a specific item number is the value of the attribute @id given in the hotspot declaration.

Required attributes

@xrefid

@xidtype

Referencing of a specific item number from the text of a Data Module:

- Define of the hotspot declaration for the destination item number (eg, "fig0001-gra0001-hot0001").
 - Set the element <xref> to the desired item number in the Data Module.
 - For the attribute @xrefid, give the hotspot ID of the destination item number (eg, "fig0001-gra0001-hot0001"). The entry is case-sensitive.
 - For the attribute @xidtype, select the value "hotspot".
- Enter the hotspot reference for several of the same item numbers
<xref xidtype="hotspot" target="desired item number">

The element <xref> with the attribute @xidtype="hotspot" and @target="desired item number" is used to refer to all the same item numbers of an illustration within the same Data Module. The ID to call several of the same item numbers is the value of the attribute @apsname in the hotspot declaration.

Required attribute

@xrefid

@xidtype

@target

In addition to the previous description the following step is to be taken:

- For the attribute @target, the common ID is to be listed from the attribute @apsname in the hotspot declaration.
- Entry of a hotspot reference in the legend
<xref xidtype="hotspot" target="desired item number">
 - The element <xref> is used with the attribute @xidtype="hotspot" and @target="desired item number" is used to refer to all the same item numbers in an illustration from the illustration legend. The ID to call several of the same item numbers is the value of the attribute @apsname of the hotspot declaration.

@xrefid

@xidtype

@target

Referencing several of the same item numbers from the legend:

- Define the hotspot declaration for the destination item numbers (eg, "fig0001-gra0001-hot0003", "fig0001-gra0001-hot0003a").
 - Set the element <xref> within the element <term> in the legend.
 - For the attribute @xrefid, list the ID of the destination illustration (eg, "fig0001").
 - For the attribute @xidtype, select the "hotspot" value.
 - For the attribute @target, list the common ID from the attribute @apsname in the hotspot declaration (eg, "1").
 - For legends, the attribute @target is to be used to reach all item numbers from the legend with the required value in the destination illustration.
- Enter an illustration reference to the hotspot declaration
<xref xidtype="other" destitle="beliebig">

The element <xref> with the attribute @xidtype="other" is used to refer to an item number within an illustration in terms of its item number in the Data Module (= Hyperlink of item number to text).

Depending on the destination of the hyperlink within the same Data Module, there is the possibility of using the attribute @xidtype with the following values to realise a hyperlink of the item number of an illustration in the text part to/in another illustration.

@xidtype in the hotspot declaration of an illustration:

- @xidtype="other" = Hyperlink destination is a legend-term or the destination of the hyperlink is of one of the types indicated:
- @xidtype="figure" = Hyperlink destination is an illustration.
- @xidtype="hotspot" = Hyperlink destination is an item number (or alpha-key) within an illustration.
- @xidtype="para" = Hyperlink destination is a <para0>, <subparaX> or <para>.
- @xidtype="sheet" = Hyperlink destination is a single illustration page.
- @xidtype="spares" = Hyperlink destination is a spare part added to the corresponding list.
- @xidtype="step" = Hyperlink destination is a step.
- @xidtype="supequip" = Hyperlink destination is a support equipment added to the corresponding list.
- @xidtype="supply" = Hyperlink destination is a supply added to the corresponding list.
- @xidtype="table" = Hyperlink destination is a table.

If a technical description of an item number in an illustration containing further information in another Data Module requires referencing, this is to be done using the legend relevant to the item number. Within the hotspot declaration, an illustration for <xref> refers to the legend terms in this case. In the element relevant to the legend terms <def>, a <refdm> must then be inserted to the additional destination in the other Data Module.

Required attributes

@xrefid

@xidtype

@destitle

Referencing of legend terms deriving from an item number:

- Including the element `<xref>` within the hotspot declaration.
- For the attribute `@xrefid`, list the ID of the destination legend (eg, "fig0001-te0001"). The entry is case-sensitive.
- For the attribute `@xidtype`, select the value "other".
- Use the attribute `@destitle` for the generation of a sensitive text if required.

Note:

A hyperlink from an element of the illustration (item number or alpha-key) to a specific place in IETP is to be explicitly noted in the hotspot declaration of the illustration in the Data Module (element `<xref>`).

- Reference from an alpha-key to a specific alpha-key
`<xref xidtype="hotspot">`

The element `<xref>` with the attribute `@xidtype="hotspot"` is used to refer to an alpha-key within an illustration containing another alpha-key.

Alpha-keys are used in complex contexts to show

- where a constructed group or partial grouping is integrated
- the detailed construction of this group.

As symbols, letters in connection with arrows and brackets are usually used. Letters with arrows indicate the location (lead-off), letters with brackets indicate an illustration with detailed breakdown (detailed image).

Locations (lead-offs) and detailed images (destinations) within the illustration can be both exit points and also destinations for hotspots. Detailed images can in turn have further lead-offs.

Lead-offs and detailed images can appear manifold in an illustration, but are spread over several illustration pages if necessary.

Required attributes

@xrefid

@xidtype

(@destitle)

Referencing all alpha-keys with a specific value from another alpha-key within the same illustration:

- Place the element `<xref>` within the hotspot declaration defined for the alpha-key.
- For the attribute `@xrefid`, list the ID of the alpha-key (eg, "fig0001-gra0002-hotA2"). The entry is case-sensitive.
- For the attribute `@xidtype`, choose the value "hotspot".
- If there is no legend entry for the destination alpha-key in the Data Module, the contents for the attribute `@destitle` must be filled in. This content can appear in a list box of the IETP as case-sensitive text. If there is a legend entry for the destination alpha-key in the Data Module,

the content of the element `<def>` of the legend can be displayed as case-sensitive text in a list box provided the attribute `@destitle` is not explicitly filled in.

To reference all further alpha-keys with the same value within an illustration, the `@target` attribute is to be used.

- Reference of an alpha-key to all alpha-keys with a specific value `<xref xidtype="hotspot" target="desired value of the alpha-key">`

The element `<xref>` with the attribute `@xidtype="hotspot"` and `@target="specific value"` is used to reference from an alpha-key within an illustration to all other alpha-keys with a specific value within the same illustration.

Required attribute

`@xrefid`

`@xidtype`

`@target`

(`@destitle`)

Referencing all alpha-keys with a specific value from another alpha-key within the same illustration:

- Place the element `<xref>` within the hotspot declaration defined for the alpha-key.
- For the attribute `@xrefid`, list the ID of the alpha-key (eg, "fig0001"). The entry is case-sensitive.
- For the attribute `@xidtype`, choose the value "hotspot".
- For the attribute `@target`, list the value of the desired destination alpha-key (eg, `target="A"`).
- If there is no legend entry in the Data Module for the destination alpha-key, fill in the contents of the attribute `@destitle` to be displayed, for example, in a list box of an IETP system.

- Addition of a reference to a Illustration for part information

In accordance with S1000D Issue 2.3, the element `<csnref>` can be included in the element `<hotspot>`. In this Style Guide, links to the IPD Data Module are allowed only in the Preliminary Requirements. Refer to Chap. 7.2.6.

7.3 Preliminary requirements

Element `<prelreqs>` (M)

The element `<prelreqs>` contains all the provisions required for carrying out the procedure in the Data Module.

7.3.1 Production management data

Element `<pmd>` (O)

This element is not used.

7.3.2 Required condition

Element [<reqconds>](#) (M)
Use mandatory

This element lists all the provisions and requirements for the status of a system that must be met to successfully perform the procedure. The listing follows the order required for carrying out the procedure.

Sub-element [<noconds>](#)
No tasks are required prior to carrying out the procedure.

Sub-element [<reqcond>](#)
Description of the required task as a statement.

Sub-element [<reqcondm>](#)
This element is used when the task is included in a Data Module. In this case, the elements [<reqcond>](#) (description of the task) and [<refdm>](#) (reference to the Data Module) are to be listed.

Sub-element [<reqcontp>](#)
This element is used when the task is included in another publication. In this case, the elements [<reqcond>](#) (description of the task) and [<reftp>](#) (reference to the publication) are to be listed.

Note:

Here a precise reference to the task is required; the general listing of a publication is not sufficient.

7.3.3 Required persons

Element [<reqpers>](#) (O)
The element is only required if explicit information is important to perform the task.

Sub-element [<asrequir>](#)
The required personnel are not explicitly defined and are only entered if required. The display in the browser is "AR" for English Data Modules / "NB" for German Data Modules.

Sub-element [<person>](#)
Listing of the required personnel and their identification in the attribute @man. An element [<person>](#) and the attribute in alphabetical order (man="A") is to be supplied for each person.

Sub-element [<perscat>](#) (O)
This element contains the categories / branches of the person in the attribute @category.

Permitted for MLLD:

- category="TW",
- category="FW",

- category="BA",
- category="L-Schein"

Further categories are to be established in agreement with the training requirements for the project.

Sub-element <perskill> (O)

This element contains the required qualification (skill level) detailed in the attribute @skill. Refer to Chap. 6.2.11.

Note:

The Data Module is written for the training level of man="A". Refer to Element Skill Level in the status section of the Data Module.

Sub-element <trade> (O)

This element is not used.

Sub-element <esttime> (O)

This element is not used.

Note:

The element <perscat> is provided for filling in the elements <perskill>, <trade>, <esttime>.

7.3.4 Support equipment

Terms:

Support Equipment, Ground Support Equipment or Aerospace Ground Equipment

Element <supequip> (M)

Use mandatory

The element <supequip> lists the support equipment required for carrying out tasks. Standard tools are not included.

Sub-element <nosupeq>

No support equipment is required.

Sub-element <supeqli>

Listing of the support equipment; for each support equipment one element <supequi> is to be inserted and provided with an ID <supequi id="seq000j">. This is to facilitate a referencing of the support equipment in the text.

Sub-element <supequi>

This element identifies individual support equipment with a name, ID and quantity. The ID uses the Catalogue Sequence Number (CSN) according to S2000M or the part number.

Element <applic> (O)

This element is not used.

Element <nomen> (M)

This element contains the denomination of the support equipment. This can be a name, a number or, as in the case of EF, the AGERD number and name.

Element <identno>

This element contains the part number <pnr> and the manufacturer code – company name, if known) <mfc> (O). The text in <pnr> is in upper case.

Element <csnref>

Reference to the IPD Data Module using the attribute @refcsn (M); refcsn is a 13-digit / 16-digit (with S2000M, Issue 4.0) character string with spaces but no dashes. The entry is case-sensitive. Refer to Chap. 8.6.1. Optional attributes are @refisn for the Item Sequence Number (ISN), @refipp, reference to the Initial Provisioning Project Number (IPPN), and @refrpc, reference to the Responsible Partner Company (RPC). The latter are only used for non-chapterized IPD. The use of @refisn, @refipp and @refrpc must be avoided.

Element <nsn> (O)

Use mandatory when an NSN is available.

In the attribute @nsn, the NATO Stock Number (NSN) is to be listed.

Element <qty> (M)

This element contains the required quantity of the support equipment. If no precise amount is given, “NB”, for “Nach Bedarf” / English “AR“ for “As Required“ is to be listed.

Note:

Use either the element <csnref> or <identno>. If available, the use of <csnref> is the preferred method as a link to the IPD Data Module can be provided.

7.3.5 Supplies

Terms: Supplies (consumables, bulk materials)

Element <supplies> (M)

Use mandatory

The element <supplies> lists the supplies for carrying out the activity.

Sub-element <nosupply>

No supplies are required.

Sub-element <supplyli>

Listing of the supplies; for each supply one element <supply> is to be inserted and provided with an ID <supply id=“sup000n“>. This is to facilitate a referencing of the supply in the text.

Sub-element <supply>

This element identifies the individual supplies with name, ID and quantity. As ID, the Catalogue Sequence Number (CSN) is used in accordance with S2000M or the part number.

Element <applic> (O)

This element is not used.

Element <nomen> (M)

This element identifies the supply. This can be a name, a number or the LCM number and name.

Element <identno>

This element contains the part number <pnr> and manufacturer code <mfc> (O). The text in <pnr> is upper case. <mfc> is not used.

Element <csnref>

Reference to the IPD Data Module with the attribute @refcsn (M); refcsn is a 13-digit / 16-digit (for S2000M, Issue 4.0) character string with spaces but no dashes. The entry is case-sensitive. Refer to Chap. 8.6.1. Optional attributes are @refisn, for the Item Sequence Number (ISN), @refipp, reference to the Initial Provisioning Project Number (IPPN), and @refrpc, reference to the Responsible Partner Company (RPC). The latter are only used for non-chapterized IPD. The use of @refisn, @refipp and @refrpc should be avoided.

Element <nsn> (O)

The attribute @nsn contains the NATO Stock Number (NSN).

Element <qty> (M)

This element contains the required quantity of the supplies. The attribute @uom indicates the unit of measurement. The unit of measurement for a number of items is "EA". If no precise amount is given, "NB" for "Nach Bedarf" / English "AR" for "As Required" is to be listed.

Note:

Either the element <csnref> or <identno> is to be used. The use of <csnref> is the preferred method as a link to the IPD Data Module can be provided.

7.3.6 Spares

Element <spares> (M)

Use mandatory

The element <spares> lists the spare parts required for the activity.

Sub-element <nospare>

No spares are required.

Sub-element <sparesli>

Listing of spares; an element <spare> must always be listed and provided with an ID <spare id="spa000n"> to allow referencing in the text.

Sub-element <spare>

This element identifies the individual spare parts with name, ID and quantity. As ID, the CSN is used in accordance with S2000M or the part label.

Element <applic> (O)

This element is not used.

Element <nomen> (M)

This element identifies the spare part. This can be a name, a number or, in the case of EF, the LCM Number and the name.

Element <identno>

This element contains the part number <pnr> and the manufacturer code <mfc> (O). The text in <pnr> is upper case. <mfc> is not used.

Element <csnref>

Reference to the IPD Data Module with the attribute @refcsn (M); refcsn is a 13-digit / 16-digit (for S2000M, Issue 4.0) character string with spaces but no dashes. The entry is case-sensitive. Refer to Chap. 8.6.1. Optional attributes are @refisn, for the item sequence number (ISN), @refipp, reference to the Initial Provisioning Project Number (IPPN), and @refrpc, reference to the Responsible Partner Company (RPC). The latter are only used for IPD not in chapter form. The use of @refisn, @refipp and @refrpc should be avoided.

Element <nsn> (O)

The attribute @nsn contains the NATO Stock Number (NSN).

Element <qty> (M)

This element contains the required quantity of the spare parts. The attribute @uom contains the unit of measurement. The unit of measurement for a number of items is "EA". If the amount is not precisely given, "NB", for "Nach Bedarf" / English "AR" for "As Required" is to be listed.

Note:

Either the element <csnref> or <identno> is to be used. The use of <csnref> is the preferred method as a link to the IPD Data Module can be provided.

7.3.7 Safety

Element <safety> (M)

Use mandatory

The element <safety> contains all the safety conditions to be observed when carrying out the complete procedure.

Subelement <nosafety>

There are no safety conditions to be observed.

Subelement <safecond>

Listing of the safety conditions; the elements <warning>, <caution> and <note> are available.

Note:

Safety indications referring to a procedural step must precede the step.

8 Data Module types

8.1 Descriptive Data Module

Element `<descript>`

The descriptive Data Module contains general descriptions, illustrations and tables with technical information.

The element `<descript>` introduces the descriptive part of the Data Module. Often, this starts with a main paragraph `<para0>`. It is recommended to use the element `<title>`.

The structure of the descriptive Data Module is defined in S1000D Issue 2.3, Chap. 3.9.5.2.2.

8.2 Procedural Data Module

Element `<proced>`

The procedural Data Module is used to capture procedural information, (eg, remove and install procedures), which are structured in steps. It consists of:

- Preliminary requirements, element `<prelreqs>` (M)
The element `<prelreqs>` lists all provisions required before starting the procedure described in the Data Module.
- Main function, element `<mainfunc>` (M)
This element lists the sequence of an activity in the form of steps.
- Close-up requirements, element `<closereqs>`

The structure of the procedural Data Module is defined in S1000D Issue 2.3, Chap. 3.9.5.2.3.

8.3 Fault information Data Module

Using the fault information Data Module, information on fault reporting or information on fault isolation can be documented. The structure of the fault information Data Module is defined in S1000D Issue 2.3, Chap. 3.9.5.2.4.

8.3.1 Fault reporting

Element `<afr>` (O)

The element `<afr>` differentiates between `<ifault>` "isolated fault", `<dfault>` "detected fault", `<ofault>` "observed fault" and `<cfault>` "correlated fault". The fault codes are to be listed at system-/sub-system level. This means that different Data Modules can be produced on system / sub-system level.

8.3.2 Fault isolation

Element `<afi>` (O)

The element `<afi>` contains a list of fault information and fault isolation; repeatable element `<afi-proc>`. The elements `<fault>` "fault code", `<describe>` "description" and `<isoproc>` "isolation procedure" are contained. Preliminary requirements are included in `<isoproc>`.

8.4 Maintenance planning Data Module

Element <schedule> (M)

The schedule Data Module contains all inspection-/maintenance planning information and their life limits within the system.

- Schedules for inspection/maintenance for each system within the entire product
- Listing of inspections and maintenance tasks for each system within the entire product
- Scheduled inspections
- Unscheduled and special inspections
- Information on functional check flights

The element <schedule> contains

- Time limit information (element <timelim>)
- System task information (element <deftask>)
- Inspection information (element <definspec>)

This Data Module does not contain detailed working procedures. In the Data Module for scheduled tasks only references to the procedural Data Module are included.

In a Data Module for scheduled tasks, only one branch in the element <schedule> is to be used. In the element <schedule>, the attribute @type can be used. For scheduled / unscheduled inspections within the attribute @type, the identification of the inspection is to be coded (eg, @type="Inspection after 6 months").

The structure of the schedule Data Module is defined in S1000D Issue 2.3, Chap. 3.9.5.2.5.

8.4.1 Time limits

Element <timelim>

The element <timelim> includes in a Data Module a group of schedules for inspections/maintenance for a component (sub-element <equip>) within a specific system. It can be repeated to list all components of a system and their schedules in a Data Module. Every <timelim> element has to be inserted with a project-specific id. To insert the ID, the element <timelim> is coded with the following attribute:

@identifier = project-specific ID for the group of schedules for a component within a specific system.

For the different systems / sub-systems separate Data Module are prepared with inspection schedules.

8.4.2 System task list

Element <deftask>

The element <deftask> contains inspection tasks for specific components (subelement <equip>).

The element <deftask> can be used multiple to document all components of a system, including its inspections tasks, in a Data Module. Each element <deftask> has to be marked with a project-specific id.

The attribute @taskid is used to contain the identifier for the list of tasks..

The list of Data Module for inspections tasks with additional information (eg, procedural Data Module) for a specific component of the system is included with

the element <refs>.Tasks (mandatory or recommended) with relevance for the **Airworthiness Limitations** are coded in the attribute @airworthlim of the element <deftask>.

For different systems / sub-systems individual Data Module with lists of the relevant inspection tasks are prepared.

The elements <timelim> and <deftask> for a specific component of a system can contain several inspection limits (group of inspection limits, multiple use of the element <threshold>). In this case, it should be noted that the element <remarks> indicates that the required inspection task is to be performed whenever the earlier of the limits is due.

8.4.3 Scheduled / Unscheduled check

Element <definspec>

The element <definspec> is used to contain the scheduled / unscheduled inspections (subelement <inspection>). On the basis of the project-specific maintenance concept, the scheduled inspections, (eg, preflight, postflight inspection, inspection on a specific number of flight status, flight cycles or calendar days) and unscheduled inspections, (eg, inspections on hard landing, on start-breakoff) are defined. For all inspections defined by the maintenance concept a separate Data Module has to be prepared. This includes also maintenance information for stored and preserved equipment.

The element <inspection> is also used to include the limit for the scheduled inspection and also the type of the inspection. This is coded in the sub-element <limit>.

For unplanned inspections, the sub-element <remarks> in the element <inspection> is used to mark unscheduled inspections. The subelement <limit> is not applicable to unscheduled inspections, as well-defined limits only exist for planned inspections.

8.5 Crew/Operator Data Module

Element <acrw> (M)

Crew/Operator Data Modules describe information used by crew/operators of a system under normal conditions and in emergency conditions. The element <acrw> contains either the element <descacrw> or <frc>.

The structure of the crew/operator Data Module is defined in in S1000D Issue 2.3, Chap. 3.9.5.2.6.

8.5.1 Descriptive information

Element <descacrw>

The element <descacrw> is used to contain a combination of descriptive and procedural contents.

8.5.2 Crew checklist

The element <frc> is used for operator checklists. Only operating / handling instructions are included.

8.6 Illustrated parts Data Module

The illustrated parts Data Modules are generated in accordance with S1000D or a national procedure and build the Illustrated Part Catalogue.

For parts data in accordance with S2000M, the preparation of the IPD Data Module can be drawn automatically from tested and approved S2000M initial provisioning data. The data delivery is also possible with the Excel file in accordance with "Materialdatenbringung durch Hersteller (Simplified ASD)", see <http://www.bundesheer.at/formular/index.shtml> in "NATO-Kodifizierung - Firmen". Details are given by the project.

The S2000M differentiates between a "chapterized" – SNS related and a "non-chapterized" – part number related IPC. The allocation of the elements in the IPD Data Module follows the data element definition of S2000M. Manual editing of the IPD Data Module in XML is the exception.

The updating of the source data is done in the material management system.

All provisions for the preparation of IPD Data Module are to be documented in the relevant project guidelines.

Element `<ipc>` (M)

Contains at least one instance of the element `<csn>` (M). Refer to Chap. 8.6.1.

Optional elements:

Element `<ipp>` (O)

The initial provisioning project, element `<ipp>` is mandatory for S2000M IPD Data Module.

Example:

```
<ipp ippn="1654N5000" ips="AGUSTA BELL AB212" fid="s" lge="at">
```

Element `<figure>` (O)

If used, the element `<figure>` contains one or more illustrations for the identification of parts. A figure ID is required. Hotspots are required for linking the item numbers from the illustration with the relevant parts data.

Note:

The explicit hotspot definition is not required for IETP-X-AT. The linking is part of the application.

The XML companion file is only required if multiple sheets are used and no explicit hotspot definition is given.

Element `<zones>` (O)

This element is not used.

8.6.1 Catalogue sequence number

The element `<csn>` contains the part information. The Catalogue Sequence Number (CSN) is the unique identifier of an item in the (IPC).

The element `<csn>` contains the attributes `@csn`, `@ind` and `@item`.

The optional elements `<accpl>` (O) and `<ein>` (O) are not permitted.

Attribute `@csn` (M):

Position	Contents	Note
1 to 6	SNS refer to Chap. 5.2.3	
7 and 8	Figure number	
9	Figure number variant	if necessary, space
10, 11 and 12	Item number	
13	Item number variant	if necessary, space

In S2000M Issue 4, the CSN is defined as a 16-digit string. Positions 1–9 (instead of 1–6) correspond to the "extended" SNS from S1000D Issue 2 onwards (MY-YY-YYYY). If S2000M Issue 4 is used, the CSN of the IPD Data Module must therefore also be defined as a 16-digit string. This is independent of the defined length of the SNS in the S1000D project. Thus the definition of the SNS has to be agreed with the S2000M project.

For non-chapterized IPD, the positions 1–6 are not defined and are to be filled with "space characters".

The figure number corresponds to the disassembly code in the Data Module Code. If the figure number is alphanumeric, it begins with "A1". The figure number variant corresponds to the disassembly code variant, whilst in the DMC, the value "0" is inserted instead of a space.

Attribute @ind (M for S2000M)

Indenture (IND), values of "1" to "9" are permitted.

Attribute @item (M)

The contents of the attribute correspond to the item number and item number variant from the attribute @csn.

Example of AB-212:

```
<csn csn="521000A1 000 " ind="1" item="000 " >
```

The sub-element Item Sequence Number <isn> (M) includes the part data.

The value of the attribute @isn="00A" for the first item. For further items, the definition of the values for @isn is given in S2000M.

The element <isn> includes:

- Reason for selection information <rfs> (O)
- Quantity per next higher assembly <qna> (M)
- NATO supply code for manufacturers (NCAGE) <mfc> (M)
- Part number information <pnr> (M)
- Part identity information <pas> (O)
- NATO stock number <nsn> (O)
- Part location information <pbs> (O)
- Applicability information <ccs> (O)
- Container information <ctl> (O)
- Applicability or location recommendation information <applies> or <ces> (O)

- Reference designator <rfd> (O)
- Integrated logistic information <ils> (O)
- Change authority information <can> (O)
- Programme specific information <n2d> (O)

8.6.2 S2000M IPD Data Module

For population of the elements of <isn>, the provisions of S2000M apply. The assignment is defined in S1000D Issue 2.3, Chap. 3.9.5.2.7, Para 3.

8.6.3 IPD Data Module industry parts list

The preparation and maintenance of the IPD Data Module in XML is carried out according to the project-specific processes.

As a minimum the following elements from <isn> are required:

- Quantity <qna>
- NCAGE <mfc>
- Part number <pnr>
- Part identity information <pas> and the element description of part <dfp>

Further optional elements include:

- NATO stock number <nsn>, if there is any
- Part location information <cbs>, the element not illustrated <nil> and the element description for location <dfi>, if necessary
- The element <n2d> for project-specific population

8.6.4 Manufacturer index

The data for the setup of a manufacturer index is to be prepared as technical information repository – organizations information. The data delivery and any further details are to be agreed in the relevant project guidelines.

The data are produced on the basis of the product described by the IPC.

Element <organizationlist> (M)

Contains at least one instance of the element <organizationinfo> (M) with the following details:

Element <organizationid> (M)

This identifies the organisation with the attribute @mfc and the NATO supply code for manufacturers (NCAGE).

Element <contactaddr> (M)

The element contains the address.

Element <organizationref> (O)

Optional reference to another organisation.

Element <refs> (O)

General reference.

8.7 Wiring Data Module

Electronic data can be published in the traditional form as descriptive Data Module from wiring, routing diagrams or wire lists.

Alternatively, the preparation of the electric information the Wiring Data Module can be used. The Wiring Data Description Modules contain the description and configuration of the data elements and the wiring data Data Modules contain information on the individual data elements. The structure of the wiring Data Module is defined in S1000D Issue 2.3, Chap. 3.9.5.2.9. These Data Modules can only be published with IETP-X-AT.

The method of publishing is to be agreed in the project guidelines.

8.8 BREX Data Module

The regulations are included in Chap. 2.4.

8.9 Further Data Module types

Further Data Module types will be included in the NSG-AT, if required.

9 Publications

9.1 List of applicable publications

For the projects of the BMLV, the following information is required.

- General description and data
- General safety regulations
- System description and functions
- User and operating instructions
- Control plan / maintenance plan
- Maintenance and repair instructions
- Fault reporting and fault isolation
- Preservation and storage
- Illustrated parts catalogue
- Further applicable information

The definition of the required information and its assignment to publications is determined by the project. The publications to be applied and used are defined in the List of Applicable Publications (LOAP).

9.2 Publication Module

A Publication Module in accordance with S1000D describes the structure of an IETP similar to the structure of a conventional technical manual or part of a manual.

The Publication Module is an XML file, which lists the Data Modules of the publication in the required structure (hierarchy) and its title.

To prepare a publication in IETP-X-AT, the Publication Module must be loaded into the IETP-X-AT database together with the relevant source data (Data Module in XML, illustrations in webCGM, TIFF and other formats).

The Publication Module is a part of the scope of delivery.

9.3 Legacy data

Legacy data (typical commercial publications) can be added to Data Modules as PDF files like illustrations, refer to Chap. 7.1.9 or via a reference (Element [<refpt>](#), refer to Chap. 7.2.5) in the Publication Module.

10 Quality control

10.1 Quality assurance process

To ensure the adequate preparation of Data Modules and Technical Publications by the CONTRACTOR according to the corresponding requirements of the CLIENT, the latter will carry out appropriate quality controls.

As part of the quality assurance programme, the CLIENT can perform audits with the CONTRACTOR as necessary.

- The quality assurance process is to be documented in the quality assurance programme and includes the preparation process, test of the Data Modules / Technical Publications
- Coordination with the relevant departments responsible for design, production and product support
- In-process review and checks
- First Verification of the Data Modules / Technical Publications
- Reports, commenting and documentation.

10.2 First Verification

First Verification is the process by which the CONTRACTOR confirms the technical correctness and completeness of the Modules/Technical Publications.

The procedure of the First Verification ("table top" and / or "on object") depends on the technical contents and is established by the CONTRACTOR.

Data Modules supplied and released by the CONTRACTOR should have the QA Status "first verified, table top and on object"; they must at least have the QA Status "first verified, table top".

10.3 Second Verification

Second Verification is the optional process by which the CLIENT carries out a practical demonstration of the Data Modules/Technical Publications supplied by the CONTRACTOR to make sure that the technical information is adequate for the efficient and safe use of the Product. Responsibility for the technical accuracy of the information remains with the CONTRACTOR. The procedure for the Second Verification ("table top" and / or "on object") is determined by the CLIENT.

10.4 Certificate of conformity

Attached to each delivery a certificate of conformity is required, wherein the CONTRACTOR certifies the conformity of the delivery items with the given specifications, standards, quality assurance processes (refer to Chap 10.4) and the contractual requirements.

10.5 Incoming inspection

All Data Modules/Technical Publications are subject to an appropriate incoming inspection by the CLIENT. The product is inspected for completeness and conformity to the S1000D and the requirements of this NSG-AT.

10.6 Indicating the QA status

The quality assurance status is recorded in the Data Module. Refer to Chap 6.2.9.

10.7 Sign off

10.7.1 Approval by the ZTA

Technical orders for the Bundesheer (TDVBH), both on paper and in electronic form, are authorized by approval from the Abteilung Zentrale Technische Angelegenheiten (ZTA) by means of permission for use in the ÖBH. The approval procedure number is contained in the separate Data Module for the approval sheet of the front matter and is therefore a part of the publication. Authorization, publishing and distribution is carried out by the Amt für Rüstung und Wehrtechnik / Zentrale Technische Produktdokumentation / Abteilung Technische Vorschriften (ARWT/ZTPD/TeVor).

10.7.2 Approbation by the MLLD

The approbation is an official process to authorize a publication for use.

In the approbation process, a control number is given. The control number is included in the separate Data Module for the approbation sheet of the front matter and is therefore a part of the publication.

All publications and electronic media used as LTP in the MLLD must be approbated.

The approbation is a two-step procedure, in which both

- the contents and
- the formal structure

of a publication are examined and assessed.

The approbation statements are provided on

- the liability, in particular limitations thereof
- the responsibility and liability for the publishing
- the change management procedure and the responsibilities in this process

For LTP in paper form, the approbation is stated by the person responsible for the approbation with

- Date
- MLPA and
- Signature

on the reverse side of the cover sheet.

For LTP on electronic media a corresponding endorsement (eg, on the cover page of the CD-cover) is required.

In the course of the approbation procedure, the control number and distribution of the LTP are to be defined in agreement with the departments of the MSL responsible for technical matters.

11 Change management

11.1 Contractual regulations

For the change management, the contractual regulations of the project apply.

11.2 Commenting

For the exchange of comments for the DMRL, DDN, Data Module and publication, the Comments Form (CF) exchange format corresponding to Chap. 4.3 is used.

The rules listed hereafter are mandatory in addition to S1000D for the processing of the Comment Form between CLIENT and CONTRACTOR:

The referencing of the comments is carried out with the following elements:

- `<crefdms>`
Only one Data Module may be referenced.
- `<crefdmls>`
Only one DML may be referenced. The comment refers to the complete DML.
- `<crefpms>`
Only one publication may be referenced. The comment refers to the complete publication. Comments on the Data Module are to be documented in the element `<crefdms>`.
- `<crefdns>`
Only one DDN may be referenced. The comment refers to the complete DDN.
The element `<response>` is only used on answer to a comment.
The element `<remarks>` below the element `<cstatus>` may be used.
The actual comment is documented in the content part `<ccontent>`.
The element `<refcattach>` may be used.

11.3 Updating of Data Module

The regulations in S1000D Issue 2.3, Chap. 3.5 and the provisions in Chap. 7.1.4 are applicable.

11.4 Einlageblatt within MLLD

The Einlageblatt (EB) contains changes to released publications. This is required when changes or revisions to the Data Module / technical publications are to be published immediately or there are interim / only temporary changes or revisions.

Each published Einlageblatt is part of the approbated LTP.

The following different types are used:

- Original – company Einlageblatt (service bulletin)
- Temporary Einlageblatt
- Permanent Einlageblatt

11.4.1 Temporary Einlageblatt

The temporary Einlageblatt is provided for those LTP which are subject to regular updating by the MLLD.

The temporary Einlageblatt provides the changes immediately to LTP user until the next revision of the LTP is published.

11.4.2 Permanent Einlageblatt

The permanent Einlageblatt is provided for those LTP which are not subject to a specific ÖBH LTP revision by the MLLD (this applies for those LTP where the original updates of the manufacturer is taken unchanged), or when no LTP revision is provided.

The permanent Einlageblatt is used to provide to all LTP user

- MLLD specific
- changed contents
- permanent
- in full text.

12 Deliverables

12.1 Data Dispatch Note (DDN)

The CSDB system uses the DDN in accordance with S1000D, i.e. the summary form of the DDN (only "mandatory" elements) and the complete form (with element <delivlst>) are used. Only definitions in accordance with Issue 2.3 are given.

12.1.1 Regulations for the DDN

DDN Code

Element: <ddnc> (M) Use mandatory

Format: MI-SSSSS-RRRRR-YYYY-NNNNN

Element description	SGML element	Remark
MI = Model identification code	<modelic>	
SSSSS = Identification of sender	<sendid>	NCAGE
RRRRR = Identification of receiver	<recvid>	NCAGE
YYYY = Data identification year	<diyear>	
NNNNN = Sequential number per year	<seqnum>	defined by sender starting with "00001" every new year

DDN status, mandatory

Element description	SGML element	Remark
Issue number (M)	<issno>	
Issue data (M)	<issdate>	
Security classification (M)	<security>	Refer to Chap. 6.2.1

Dispatch to

Element: <dispto> (M)

Use mandatory

Dispatch from

Element: <dispfrom> (M)

Use mandatory

Authorisation identification

Element: <authrtn> (M)

Use mandatory

Media identification

Element: <mediaid> (O)

Not used

Remarks

Element: <remarks> (O)

Not used

Data Delivery List

Element: <delivlst> (O)

Use mandatory

Subelements

Element <ddnfilen>

complete file name

Element <dmcoricn>

contains the Data Module code, information control number, data dispatch note code, data module list code, Publication Module code or comment code.

Element <issno>

not used

Example filename: DDN-H7-C3002-1654N-2009-00001.xml

12.2 Data Module lists (DML) – S1000D

The DML in accordance with S1000D is only permitted when explicitly agreed with the CLIENT due to contractual reasons. In general, the DMSL-AT is to be used. For LTP / Publication in accordance with the LOAP, a DMSL-AT has to be provided.

12.2.1 DMRL identification code

Element: <dmlc> (M), mandatory

Format: MI-SSSSS-T-YYYY-NNNNN

Element description	Element	Remark
MI = Model identification code	<modelic>	
SSSSS = identification of sender	<sendid>	NCAGE
T = DML type	<dmltype>	only use “complete” DMRL <dmltype type=“C”>
YYYY = Data identification year	<diyear>	
NNNNN = Sequential number per year	<seqnum>	defined by sender starting with “00001” every new year

DMRL Status, mandatory

Element description	Element	Remark
Issue number (M)	<issno>	3 digits beginning with “001” Attribute “type” (M) Attribute “inwork” (O)
Issue data (M)	<issdate>	<issdate year=2008”

		month="02" day="29">
Security classification (M)	<security>	Refer to Chap. 6.2.1
Data restrictions (O)	<datarest>	not used
Reference (O)	<dmlref>	reference to other DMRL
Remarks (O)	<remarks>	Remarks on the DMRL

12.2.2 DMRL entries

Element: <dmentry> (M), mandatory

Element description		Element	Remark
Data Module address (M)		<addresdm>	S1000D element
dmceextension (O)		<dmceextension>	S1000D element
dmc	Data Module code (M)	<dmc>	
dmttitle	Data Module title (O)	<dmttitle>	
	Technical name (M)	<techname>	
	Information name (O)	<infoname>	
issno	Issue number (O)	<issno>	
	Inwork number	inwork	
	Issue type	type	
issdate	Issue date (O)		
	Issue year	year	
	Issue month	month	
	Issue day (M)	day	
language	Language (O)		
	Language	language	
	Country	country	
Security classification (O)		<security>	
Responsible partner company (M)		<rpc>	NCAGE
Data Module requirement answer (O)		<answer>	
Remarks (O)		<remarks>	general remarks on the DM entry

Example filename: DML-H7-C3002-P-2007-00001_001-01

12.2.3 CSDB status list (CSL)

The CSL is a DML that identifies an existing and defined content of a CSDB. The actual status of the CSDB is recorded.

In this case, the lists gets type "S": <dmltype type="S"> in the DMLC.

All other elements correspond to those of the DMRL.

Example filename of AB-212: DML-H7-C3002-S-2007-00001_001-00

12.3 Data Module structure list – AT (DMSL-AT)

The DMSL-AT contains both the function of the DMRL and the CSL.

12.3.1 DMSL-AT address elements

dmsl_address

Element description	Element name	Remark
Model identification code (M)	modelic	2-digits to 14-digits
Identification of the originator (sender) (M)	sendid	NCAGE of the sender
DMSL type (M)	dmltype	dmltype = C: complete, DMSL-AT dmltype = P: partial DMSL-AT dmltype = S: CSDB status list
Issue year (M)	diyear	issue year of the DMSL-AT (eg, 2008)
Sequence number per year (M)	seqnum	sequence number per year and MI Code, defined by sender, starting with "00001" every new year (i.e. without spaces)
Technical publication name (O)	title	Technical publication name
Technical publication code (O)	tpc	LTP number / Vorschriftennummer or technical publication code

pm_code, optional

Element description	Element name	Remark
Model identification code (M)	modelic	2-digits to 14-digits
Issuing authority (M)	pmissuer	NCAGE
Number of the publication (M)	pmnumber	unique code (alphanumeric), defined by the issuer
Volume number (O)	pmvolume	volume, media number default = 00

12.3.2 DMSL-AT Status elements

dmsl_status

Element description	Element name	Remark
Issue number (M)	issno_issno	sequential number, beginning with "001" (i.e. without spaces)

Issue number type (M)	issno_type	available attribute values: <ul style="list-style-type: none"> • new = new DMSL-AT • changed = DMSL-AT contents changed • revised = DMSL-AT completely reworked Initial value is "new".
Inwork number (M)	issno_inwork	sequential number beginning with "01"
Issue year (M)	Issdate_year	issue year of the DMSL-AT (eg, 2008)
Issue month (M)	Issdate_month	issue month of the DMSL-AT (eg, 02)
Issue day (M)	Issdate_day	issue day of the DMSL-AT (eg, 29)
Security classification (M)	security_class	Refer to Chap. 6.2.1
Reference (O)	dmlref	reference to other DMSL
Remarks (O)	remarks	remarks on the DMSL-AT; to be decided by the project.

The optional elements (O) can be defined in the project guidelines as "not required", if the entries are globally definable or not required for the whole DMSL.

12.3.3 DMSL-AT entries

dmsl_entry

Element description		Element name	Comment
addresdm			
dmc	Data Module code (M)		
	Model identification code	modelic	2 digits to 14 digits
	System difference code	sdc	1 digit
	System	chapnum	2 digits without MICC
	Subsystem	section	1 digit
	Sub-subsystem	subsect	1 digit
	Unit or assembly	subject	2 digits
	Disassembly code	discode	2 digits
	Disassembly code variant	discodev	1 digit
	Information code	incode	3 digits

	Information code variant	incoddev	1 digit
	Item location code	itemloc	1 digit
dmtitle	Data module title		
	Technical name (M)	techname	
	Information name (M)	infoname	
issno	Issue number		
	Issue number (M)	issno	3 digits
	Inwork number (O)	inwork	2 digits, default = "00", if required
	Issue type (M)	type	
issdate	Issue date (M)		
	Issue year (M)	year	
	Issue month (M)	month	
	Issue day (M)	day	
language	Language (M)		
	Language code (M)	language	
	Country code (M)	country	
status			
security			
	Security classification (M)	security	Refer to dmsl_status
rpc	Responsible partner company		
	Responsible partner company (M)	rpc	NCAGE
	RPC name (O)	rpcname	company name (short identification)
orig	Originator		
	Originator (M)	orig	NCAGE
	Originator name (O)	origname	company name (short identification)
applic	Applicability		contents to be defined in the project guidelines
	Type (O)	type	

	Model (O)	model	
	Version (O)	version	
Comment			
remark	Remark (O)	remark	
rfu	Reason for update (O)	rfu	reason for updating the Data Module
dm			
	Document type definition (M)	dtd	label of DTD/schema "d" for description "p" for procedure "s" for schedule "c" for crew "f" for fault "i" for IPD "ps" for process "wi" for wrngdata "wd" for wrngflds
	DTD version (M)	version	issue of the S1000D™
	Type (M)	type	= TX: structured (XML) = IL: illustration (ICN) = US: unstructured
	Filename (O)	filename	
publication			
	Publication code (O)	pub	LTP number / Vorschriftennummer or publication code
	Information set code or publication (O)	is	
	Structure level (M)	level	hierarchy level
	Chapter number (O)	No.	chapter number, "-" when no specific chapter number is allocated.
	Title of the chapter (O)	title	chapter heading – always required even when no chapter number is allocated
dml			

	DMSL entry type (M)	dmentry	entry in the DMSL-AT N = new C = changed D = deleted - = valid unchanged
	Remark (O)	remark	general remarks on the Data Module entry; can also contain the element "Data Module requirement answer" from S1000D.

The optional elements (O) can be defined in the project guidelines as "not required" when the entries are globally definable for the whole DMSL or not required.

12.3.4 File Names

For the DMSL-AT the following rules for the file names according to S1000D apply:

MI-SSSSS-T-XXXX-NNNNN_III-WW

- MI = Model identification code
- SSSSS = NCAGE
- T = DMSL type
- XXXX = Issue year
- NNNNN = Sequential number per year and MI
- III = Issue number
- WW = Inwork number

Examples:

DMSL-HS-0022N-C-2008-00001_001-01.xls

DMSL-ATE1B-C0419-C-2007-00002_001-01.xls

12.3.5 Structure of the publication in the DMSL-AT

The definition of publication structures for IETP and PDF can be managed through entries in the "publication" field.

Structure elements with heading in the "publication" field can be defined without containing a Data Module (only a chapter title without contents).

The standard method is to manage the publication structure through the "level" field. The processing for the IETP and PDF of the "No" field is to be agreed in the project and defined in a style sheet.

The project must define whether the content of the "No" field should be a firm component of the heading and whether the content can be stored as an individual element and therefore included in the PDF, or whether this should be managed as a reference to source information (eg, an existing manual).

If this structure is also used for the automatic generation of an information object in accordance with IETP-X-AT, it should be noted that:

Chapter headings that still have a sub-structure must not have content themselves (Data Module).

12.4 Data Module

The Data Modules are to be delivered with QA status “first verified, table top” at the least. Unverified Data Modules are no official delivery but can be used for informative purpose.

As regards the delivery of updated Data Modules, a consecutive issue (i.e. without gaps) has to be used.

12.5 Illustrations

Graphic:

The graphic data must be delivered as defined in Chap. 7.1.9.

The supply of the original graphic data (eg, ISO) as well as additional TIFF files for the in-line presentation of graphics in IETP-X-AT has to be agreed in the project.

PDF documents:

PDF documents must be delivered as defined in Chap. 7.1.9.

Multimedia objects:

If required, the supply of multimedia objects has to be agreed by the project.

12.6 Publication Module

The scope of delivery is a LOAP. The structure has to be agreed with the CLIENT. The LOAP contains the effective revision status for each publication.

For each LTP / publication of the LOAP, a Publication Module has to be prepared and provided for assessment.

The following front matters comprise a publication:

- Approbation sheet with title page, content provided by the CLIENT
- Change record and highlights
- List of Effective Data Module (LOEDM)
- Table of Contents (TOC)
- List of Illustrations (LOI), containing ICN and illustration titles
- Introduction
- TA index, list of incorporated TA

12.7 Scope of delivery

12.7.1 CSDB und IETP-X-AT

A delivery must contain for all required data files including:

- Data dispatch note
- DMRL or DMSL
- Data Module
- Publication Module
- Illustrations and external data, (referenced by ICN, as PDF)
- Configuration data for IETP-X-AT, (in cooperation with the CLIENT)

12.7.2 Delivery media and content structure for the delivery

- DVD recordable
Label:
 - Security classification
 - Contract (GZ)
 - Project
 - Manufacturer
 - NATO stock number or part number
 - Date of issue
 - Title/Content
 - Volume: "n of m"
 - Identification number
- Folder structure CSDB
 - Folder with DDN the date files
SGML (for S1000D Issue 1.8, 1.8.1, 1.9)
XML (S1000D Issue 2.0 onwards)
CGM and TIF
 - Separate folder with
dml
pm
- Folder structure IETP-X-AT
For every publication the following substructure:
 - xml
 - cgm_tif
 - io

This is mandatory for an automated loading.

12.7.3 Initial Load

- Setting of the project specific parameters for the CSDB in cooperation with the CLIENT.
- Upload the configuration data for the IETP-X-AT
- Upload the delivery items to the CSDB and IETP-X-AT,
Including batch files for automatic loading process
- Control loading protocols and processing of system/error messages
- System test and acceptance of delivery

13 Information for formatting of publications

Additional Information for the output of publications is given.

13.1 Presentation of warning, caution und note

<warning>: **GEFAHR**, colour red, justified, indented – English **WARNING**

<caution>: **VORSICHT**, colour yellow, justified, indented – English **CAUTION**

<note>: **ANMERKUNG**, colour blue, justified, indented – English **NOTE**

Presentation will be with coloured frame with background colour. The name **WARNING, CAUTION, NOTE** is centred and bold.

Text in capital letters is also allowed.

Example:

WARNING

This is a warning. Font arial, font size 12, justified, frame red (FF0000), filling lightcoral (FF8080), frame width 4 Pt.

CAUTION

This is a caution. Font arial, font size 12, justified, frame yellow (FFFF00), filling lightyellow (FFFFA0), frame width 4 Pt.

NOTE

This is a note. Font arial, font size 12, justified, frame blue (0000FF), filling lightblue (B0D0FF), frame width 4 Pt.

14 Glossary

CONTRACTOR	Refers to "Industry"
CLIENT	Refers to "Bundesministerium für Landesverteidigung und Sport"
INDUSTRY	Refers to "contractor and partner companies"
(M)	Mandatory Element in S1000D
(O)	Optional Element in S1000D

15 List of Abbreviations

AECMA	The European Association of Aerospace Industries
AGE	Aircraft Ground Equipment
AGERD	AGE Requirement Data
AIA	Aerospace Industries Association of America
ASD	Aerospace and Defence Industries Association of Europe
AF	Austrian Airforce
AT	Austria (country code ISO 3166)
ATA	Air Transport Association of America
BREX	Business Rules Exchange
CALS	Continuous Acquisition and Life-cycle Support
CGM	Computer Graphics Metafile
COM	Comment Form
CSDB	Common Source Database
CSL	CSDB Status List
CSN	Catalogue Sequence Number
DC	Disassembly Code
DCV	Disassembly Code Variant
DDN	Data Dispatch Note
DM	Data Module in accordance with S1000D
DMC	Data Module Code
DML	Data Module List
DMRL	Data Module Requirement List
DMSL	Data Module Status List
DTD	Document Type Definition
EAR	Export Administration Regulations
GehSV	Geheimhaltungsvorschrift
GIF	Graphic Interchange Format
IC	Information Code
ICN	Information Control Number
ICV	Information Code Variant
IETP	Interactive Electronic Technical Publications
IETP-X-AT	Interactive Electronic Technical Publication – XML based – Austria
ILC	Item Location Code
IPC	Illustrated Parts Catalogue
IPD	Illustrated Parts Data
IPPN	Initial Provisioning Project Number
ISN	Item Sequence Number
ISO	International Organization for Standardization
ITAR	International Traffic in Arms Regulations
JPEG	Joint Photographic Experts Group
KMET	Catalogue of Material Maintenance Activities
LOAP	List of Applicable Publications
LOGIS	Logistic Information System

LSA	Logistic Support Analysis
MI	Model Identification (Code)
MLLD	Military Air Force Technical / Logistical Service
MSL	Air Force Team
NSPA	NATO Support Agency
NCAGE	NATO Commercial and Government Entity
PDF	Portable Document Format
PM	Publication Module
PNG	Portable Network Graphics
SBC	System Breakdown Code
SDC	System Difference Code
SGML	Standard Generalized Markup Language
SNS	Standard Numbering System
TA	Technische Anweisung
TIFF	Tagged Image File Format
TPIRF	Technical Publication Improvement and Reply Form
W3C	World Wide Web Consortium
XML	eXtensible Markup Language

Appendix Information code (English and German)

Information code according to S1000D issue 4.1

Infocode	Infoname English (S1000D)	Infoname Deutsch
000	Function, data for plans and description	Funktion, Daten für Pläne und Beschreibung
001	Title page	Titelseite
001B	Title page, approbation sheet	Titelseite, Approbationsblatt
001C	Title page, safety symbols	Titelseite, Hinweisseite
002	List of pages or data modules	Verzeichnis der Seiten oder Datenmodule
003	Change record and highlights	Verzeichnis der Änderungen und Änderungsgründe
004	Access Illustration	Graphischer Zugang
005	List of abbreviations	Abkürzungsverzeichnis
006	List of terms	Begriffsbestimmungen
007	List of symbols	Verzeichnis der Symbole
008	Technical standard record	Verzeichnis der technischen Änderungen
009	Table of contents	Inhaltsverzeichnis
010	General data	Allgemeine Daten
010B	General data, designated use	Allgemeine Daten, Verwendungszweck
011	Function	Funktion
012	General warnings and cautions and related safety data	Allgemeine Gefahren- und Sicherheitshinweise
013	Numeric index	Numerisches Verzeichnis
014	Alphabetic and alphanumeric index	Alphabetisches und alphanumerisches Verzeichnis
015	List of special materials	Liste der Sonderwerkstoffe
016	List of dangerous materials	Liste gefährlicher Werkstoffe
017	List of related data	Liste der Bezugsdokumente
017B	List of related data, specification overview	Liste der Bezugsdokumente, Vorschriftenübersicht
017C	List of related data, Export control	Liste der Bezugsdokumente, Exportkontrolle-Informationen
017D	List of related data, Export control licenses	Liste der Bezugsdokumente, Exportkontroll-Lizenzen
018	Introduction	Einleitung
018B	Introduction, preliminary note	Einleitung, Vorbemerkung
019	Supplier list	Lieferantenliste
020	Configuration	Konfiguration
021	Copyright	Copyright
022	Business rules exchange	Datenmodul für projektspezifische Regelungen
023	Administrative forms and data	Verwaltungsformulare und -daten
023B	Administrative forms and data, change proposal	Verwaltungsformulare und -daten, Änderungsvorschlag
023C	Administrative forms and data, change record	Verwaltungsformulare und -daten, Änderungsnachweis
024	Business rules document	Dokument für projektspezifische Regelungen
025	Export control policy	
026	Regulatory policy	
028	General	Allgemeines
029	Data structure	Datenstruktur
030	Technical data	Technische Daten

030B	Technical data, setting data and tolerances	Technische Daten, Einstelldaten und Toleranzen
031	Electrical standard parts data	Daten über elektrische Standardteile
033	Technical data (functional breakdown)	Technische Daten (funktionaler Aufbruch)
034	Technical data (physical breakdown)	Technische Daten (technischer Aufbruch)
040	Description	Beschreibung
041	Description of how it is made	Herstellungsbeschreibung
042	Description of function	Funktionsbeschreibung
043	Description of function attributed to crew (functional breakdown)	Funktionsbeschreibung für die Besatzung
044	Description of function (physical breakdown)	Funktionsbeschreibung (technischer Aufbruch)
045	Designated use	Verwendungszweck
046	Dependence on peripheral systems/equipment	Abhängigkeit von peripheren Systemen/Geräten
050	Diagram/List	Diagramme/Listen
051	Wiring diagram	Schaltplan
052	Routing diagram	Leitungsplan
053	Connection list	Anschlussliste
054	Schematic diagram	Schematische Darstellung
055	Location diagram	Einbauortdiagramm
056	Equipment list	Geräteliste
057	Wire list	Leitungsliste
058	Harness list	Kabelbündelliste
059	Maintenance envelope diagram	Wartungsübersichtsdiagramm
060	Product support equipment, tools and software	Bodendienst- und Prüfgeräte, Werkzeuge und Software
061	Special support equipment and tools	Spezielle Bodendienst- und Prüfgeräte und Werkzeuge
062	Standard support equipment and tools	Standard Bodendienst- und Prüfgeräte und Werkzeuge
063	Government supplied support equipment and tools	Beigestellte Bodendienst- und Prüfgeräte und Werkzeuge
064	Locally made support equipment and tools	Selbstgefertigte Bodendienst- und Prüfgeräte und Werkzeuge
065	Software	Software
066	Support equipment and tools data	Daten für Bodendienst- und Prüfgeräte und Werkzeuge
067	Decals and instruction plates	Aufkleber und Hinweisschilder
070	Consumables, materials and expendables	Verbrauchsmaterialien, Werkstoffe und Verbrauchsgüter
071	Consumables	Verbrauchsmaterialien
072	Materials	Werkstoffe
073	Expendables	Verbrauchsgüter
074	Data sheet for dangerous consumables and materials	Datenblatt für gefährliche Verbrauchsmaterialien und Werkstoffe
075	Parts list	Teilliste
076	Fluid	Flüssigkeit
077	Data sheet for consumables and materials	Datenblatt für Verbrauchsmaterialien und Werkstoffe
078	Fasteners	Befestigungselemente
080	Mixture and solution	Mischung und Lösung
081	Chemical solution	Chemische Lösung
082	Chemical mixture	Chemische Mischung
090	Software documentation	Softwaredokumentation
096	Safety critical items and parts	Sicherheitsrelevante Komponenten und Bauteile
00A	List of illustrations	Abbildungsverzeichnis
00B	List of support equipment	Verzeichnis der Bodendienst- und Prüfgeräte

00C	List of supplies	Verzeichnis der Versorgungsgüter
00D	List of spares	Verzeichnis der Ersatzteile
00E	Functional item numbers common information repository	Informationsspeicher für Funktionskennungen
00F	Circuit breakers common information repository	Informationsspeicher für elektrische Sicherungen
00G	Parts common information repository	Informationsspeicher für Teile
00H	Zones common information repository	Informationsspeicher für Zonen
00J	Access panels and doors common information repository	Informationsspeicher für Zugangsklappen und -deckel
00K	Organizations common information repository	Herstellerverzeichnis
00L	Supplies - List of products common information repository	Informationsspeicher für Versorgungsgüter
00M	Supplies - List of requirements common information repository	Informationsspeicher für Anforderungen an Versorgungsgüter
00N	Support equipment common information repository	Informationsspeicher für Bodendienst- und Prüfgeräte
00P	Product Cross-reference Table (PCT)	Querverweistabelle Produkt
00Q	Conditions Cross-reference Table (CCT)	Querverweistabelle Anwendbarkeitsbedingungen
00R	List of effective pages	Verzeichnis der gültigen Seiten
00S	List of effective data modules	Verzeichnis der gültigen Datenmodule
00T	Change record	Verzeichnis der Änderungen
00U	Highlights	Highlights
00V	List of applicable specifications and documentation	Verzeichnis der anzuwendenden Spezifikationen und Dokumentationen
00W	Applicability Cross-reference Table (ACT)	Querverweistabelle Anwendbarkeitsinformationen
00X	Controls and indicators common information repository	Informationsspeicher für Bedienelemente und Anzeigen
00Y	List of charts and forms	Verzeichnis der Diagramme und Formblätter
00Z	List of tables	Tabellenverzeichnis
0A1	Functional and/or physical areas repository	Informationsspeicher für den funktionalen und/oder physischen Aufbruch
0A2	Applicability repository	Informationsspeicher für Anwendbarkeiten
0A3	Applicability cross-reference table catalog	Katalog der Querverweistabellen Anwendbarkeitsinformationen
0A4	Warnings - List of warnings in the common information repository	Gefahrenhinweise - Liste der Gefahrenhinweise im Informationsspeicher
0A5	Cautions - List of cautions in the common information repository	Vorsichtshinweise . Liste der Vorsichtshinweise im Informationsspeicher
0B0	Maintenance planning information	Wartungsplanung
0B1	Time limits	Fristen
0B2	System maintenance/inspection tasks list	Liste der Inspektionen für systembezogene Wartung
0B3	Structure maintenance/inspection tasks list	Liste der Inspektionen für strukturbezogene Wartung
0B4	Zonal maintenance/inspection tasks list	Liste der Inspektionen für zonenbezogene Wartung
0B5	Unscheduled check	Außerplanmäßige Prüfung
100	Operation	Betrieb
101	List of consumables associated with operation	Verzeichnis der Verbrauchsmaterialien für den Betrieb
102	List of materials associated with operation	Verzeichnis der Werkstoffe für den Betrieb
103	List of expendables associated with operation	Verzeichnis der Verbrauchsgüter für den Betrieb
104	List of special support equipment and tools associated with operation	Verzeichnis der speziellen Bodendienst- und Prüfgeräte und Werkzeuge für den Betrieb
105	List of support equipment and tools associated with operation	Verzeichnis der Bodendienst- und Prüfgeräte und Werkzeuge für den Betrieb
106	List of software associated with operation	Verzeichnis der Software für den Betrieb
107	Parts list associated with operation	Verzeichnis der Teile für den Betrieb
110	Controls and indicators	Bedienelemente und Anzeigen

111	Controls and indicators	Bedienelemente und Anzeigen (Besatzung)
112	Modes of operation	Betriebsarten
115	Displays and alerts	Anzeigen und Warnsignale
120	Pre-operation	Verfahren vor dem Betrieb
121	Pre-operation procedure	Verfahren vor dem Betrieb (Besatzung)
122	Siting	Anforderungen an den Standort
123	Shelter	Anforderungen an die Schutzeinrichtung
125	Pre-operation procedures checklist	Checkliste für Verfahren vor dem Betrieb (Besatzung)
126	Conditions of readiness	Bedingungen für die Betriebsbereitschaft
127	Establish operating position	In Betriebsposition bringen
130	Normal operation	Normalbetrieb
131	Normal operation procedure	Verfahren im Normalbetrieb
132	Start-up procedure for maintenance	Inbetriebnahme für Wartung
133	Shutdown procedure for maintenance	Abschaltung nach Wartung
134	Aviation checklist	Checkliste für die Luftfahrt
135	Normal operation procedures checklist	Checkliste für Verfahren im Normalbetrieb
136	Ground running check	Bodenprüflauf
138	Ground running performance adjustment	Einstellprüflauf am Boden
139	Nuclear, biological and chemical procedures	Nukleare, biologische und chemische Verfahren
140	Emergency procedure	Notverfahren
141	Emergency operation procedure	Notbetriebsverfahren
142	Operation under unusual conditions	Betrieb unter ungewöhnlichen Bedingungen
143	Radio interference suppression	Unterdrückung von Funkinterferenzen
144	Jamming and electronic countermeasures (ECM)	Elektronische Störmaßnahmen und elektronische Gegenmaßnahmen
145	Emergency operation procedures checklist	Checkliste für Notbetriebsverfahren
146	Emergency shutdown operation procedure	Notabschaltung
150	Post-operation	Verfahren nach dem Betrieb
151	Post-operation procedure	Verfahren nach dem Betrieb (Besatzung)
155	Post-operation procedures checklist	Checkliste für Verfahren nach dem Betrieb (Besatzung)
157	Establish maintenance position	In Wartungsposition bringen
160	Loading/Unloading procedure	Be- und Entladeverfahren
161	Special operation	Sondereinsatz
162	Non-tactical operation	Nichttaktischer Einsatz
169	Mass and balance	Masse und Schwerpunkt
170	Handling	Handhabung
171	Lifting	Heben
172	Jacking	Aufbocken
173	Shoring	Abstützen
174	Towing	Schleppen
175	Taxiing	Rollen
176	Lowering	Absenken
177	Stabilizing	Stabilisieren
178	Tethering	Befestigen
179	Debogging	Herausziehen
180	Dispatch deviation	Dispatch deviation

181	Deactivate for dispatch deviation	Deaktivieren für dispatch deviation
200	Servicing	Pflege und Wartung
201	List of consumables associated with servicing	Verzeichnis der Verbrauchsmaterialien für die Wartung
202	List of materials associated with servicing	Verzeichnis der Werkstoffe für die Wartung
203	List of expendables associated with servicing	Verzeichnis der Verbrauchsgüter für die Wartung
204	List of special support equipment and tools associated with servicing	Verzeichnis der speziellen Bodendienst- und Prüfgeräte und Werkzeuge für die Wartung
205	List of support equipment and tools associated with servicing	Verzeichnis der Bodendienst- und Prüfgeräte und Werkzeuge für die Wartung
206	List of software associated with servicing	Verzeichnis der Software für die Wartung
207	Parts list associated with servicing	Verzeichnis der Teile für die Wartung
210	Fill	Auffüllen
211	Refuel	Betanken
212	Fill with oil	Auffüllen mit Öl
213	Fill with oxygen	Auffüllen mit Sauerstoff
214	Fill with nitrogen	Auffüllen mit Stickstoff
215	Fill with air	Auffüllen mit Luft
216	Fill with water	Auffüllen mit Wasser
217	Fill with hydrogen	Auffüllen mit Wasserstoff
218	Fill with other liquid	Auffüllen mit anderer Flüssigkeit
219	Fill with other gas	Auffüllen mit anderem Gas
220	Drain liquid and release pressure	Flüssigkeit ablassen und Druck absenken
221	Defuel and drain fuel	Enttanken und Kraftstoff ablassen
222	Drain oil	Öl ablassen
223	Release oxygen pressure	Sauerstoffdruck absenken
224	Release nitrogen pressure	Stickstoffdruck absenken
225	Release air pressure	Luftdruck absenken
226	Drain water	Wasser ablassen
227	Release hydrogen pressure	Wasserstoffdruck absenken
228	Drain other liquid	Anderer Flüssigkeit ablassen
229	Release other gas pressure	Anderen Gasdruck absenken
230	Bleed and prime	Entlüften und Vorfüllen
231	Bleed	Entlüften
232	Prime	Vorfüllen
233	Dry	Trocknen
234	Facility requirements associated with servicing	Anforderungen an die Wartungseinrichtung
235	Flush	Spülen
236	Fill with inert gas/inert liquid	Auffüllen mit Inertgas/inerter Flüssigkeit
237	Evacuate	Vakuum erzeugen
240	Lubrication	Schmieren
241	Oil	Ölen
242	Grease	Fetten
243	Dry film	Trockenfilm aufbringen
250	Clean and apply surface protection	Reinigung und Aufbringen von Oberflächenschutz
251	Clean with chemical agents	Reinigen mit chemischem Mittel
252	Clean by abrasive blast	Sandstrahlreinigen

253	Clean by ultrasonics	Ultraschallreinigen
254	Clean mechanically	Mechanisches Reinigen
255	Purge	Säubern
256	Polish and apply wax	Polieren und wachsen
257	Paint and apply marking	Streichen und markieren
258	Other procedure to clean	Anderes Reinigungsverfahren
259	Other procedure to protect surfaces	Weiteres Verfahren zum Oberflächenschutz
260	Remove and prevent ice and remove contamination	Vereisungsschutz und Entfernen von Verunreinigung
261	Remove ice	Enteisung
262	Prevent ice	Vereisungsschutz
263	Use disinfectant/Sanitize	Desinfektion
264	Remove contamination	Dekontamination
270	Adjust, align and calibrate	Einstellen, ausrichten und kalibrieren
271	Adjust	Einstellen
272	Align	Ausrichten
273	Calibrate	Kalibrieren
274	Harmonize	Harmonisieren
275	Grooming	Pflegen
276	Rig	Ausrüsten
277	Compensate	Kompensieren
278	Easily and quickly adjust after a battle damage repair	Einfaches und schnelles Einstellen nach Gefechtsschadeninstandsetzung
279	Easily and quickly align after a battle damage repair	Einfaches und schnelles Ausrichten nach Gefechtsschadeninstandsetzung
280	Inspection	Inspektion
281	Scheduled inspection	Planmäßige Inspektion
282	Unscheduled inspection	Außerplanmäßige Inspektion
283	Special regular inspection	Regelmäßige Sonderinspektion
284	Special irregular inspection	Sonderinspektion nach besonderen Ereignissen
285	Structure inspections for allowable damage limits	Inspektionen der Struktur bei Schäden in zulässigen Grenzen
286	Structure inspections for repair	Inspektionen der Struktur nach Instandsetzung
288	Overhaul and retirement schedule	Überholungs- und Aussonderungszeitplan
289	Check filling quantity	Füllmenge prüfen
290	Change of liquid/gas	Auswechseln von Flüssigkeit/Gas
292	Change of oil	Auswechseln von Öl
293	Change of oxygen	Auswechseln von Sauerstoff
294	Change of nitrogen	Auswechseln von Stickstoff
295	Change of air	Auswechseln von Luft
296	Change of water	Auswechseln von Wasser
297	Change of hydrogen	Auswechseln von Wasserstoff
298	Change of other liquid	Auswechseln einer anderen Flüssigkeit
299	Change of other gas	Auswechseln eines anderen Gases
300	Examinations, tests and checks	Untersuchungen, Tests und Prüfungen
301	List of consumables associated with examinations, tests and checks	Verzeichnis der Verbrauchsmaterialien für Untersuchungen, Tests und Prüfungen
302	List of materials associated with examinations, tests and checks	Verzeichnis der Werkstoffe für Untersuchungen, Tests und Prüfungen
303	List of expendables associated with examinations, tests	Verzeichnis der Verbrauchsgüter für Untersuchungen, Tests

	and checks	und Prüfungen
304	List of special support equipment and tools associated with examinations, tests and checks	Verzeichnis der speziellen Bodendienst- und Prüfgeräte und Werkzeuge für Untersuchungen, Tests und Prüfungen
305	List of support equipment and tools associated with examinations, tests and checks	Verzeichnis der Bodendienst- und Prüfgeräte und Werkzeuge für Untersuchungen, Tests und Prüfungen
306	List of software associated with examinations, tests and checks	Verzeichnis der Software für Untersuchungen, Tests und Prüfungen
307	Parts list associated with examinations, tests and checks	Verzeichnis der Teile für Untersuchungen, Tests und Prüfungen
310	Visual examination	Sichtprüfung
311	Visual examination without special equipment	Sichtprüfung ohne Sondergerät
312	Examination with a borescope	Prüfung mit Boroskop
315	QA requirements	Anforderungen der Qualitätssicherung
320	Operation test	Betriebstest
321	Unit break-in	Einlaufverfahren
322	Test and inspection	Test und Inspektion
330	Test preparation	Prüfvorbereitung
331	Connection of test equipment	Anschluss des Prüfgerätes
332	Removal of test equipment	Entfernen des Prüfgerätes
333	Installation of the unit before the test	Einbau des Gerätes vor der Prüfung
334	Removal of the unit after the test	Ausbau des Gerätes nach der Prüfung
335	Final measures	Abschließende Maßnahmen
340	Function test	Funktionsprüfung
341	Manual test	Manuelle Prüfung
342	Automatic test	Automatische Prüfung
343	BIT	Built-in Test (BIT)
344	Compatibility test	Kompatibilitätstest
345	System test	Systemprüfung
346	Other check	Sonstige Prüfung
347	Start-up procedure for test	Inbetriebnahme für Test
348	Final acceptance test (FAT)	Endabnahmeprüfung
349	Test records	Prüfberichte
350	Structure test	Strukturprüfung
351	Tests for surface cracks with dye penetrant	Farbeindringprüfung
352	Test for surface cracks with magnetic particles	Magnetpulverprüfung
353	Test for cracks and other defects with eddy current	Wirbelstromprüfung
354	Test for cracks and other defects with X-rays	Röntgenstrahlprüfung
355	Test for cracks and other defects with ultrasonics	Ultraschallprüfung
356	Hardness test	Härteprüfung
357	Gamma-ray test	Gammastrahlprüfung
358	Resonance frequency test	Resonanzfrequenzanalyse
359	Thermographic test	Thermografische Prüfung
360	Design data/tolerances check	Prüfung der Konstruktionsdaten/Toleranzen
361	Dimensions check	Prüfung der Abmessungen
362	Pressure check	Druckprüfung
363	Flow check	Durchflussprüfung
364	Leak check	Dichtigkeitsprüfung
365	Continuity check	Stromdurchgangsprüfung
366	Resistance check	Widerstandsprüfung

367	Electrical power check	Elektrische Leistungsprüfung
368	Signal strength check	Prüfung der Signalstärke
369	Other check	Weitere Prüfung
370	Monitor the condition	Zustandsüberwachung
371	Oil analysis	Ölanalyse
372	Vibration analysis	Vibrationsanalyse
373	Tracking check	Spurlaufprüfung
374	Fuel analysis	Kraftstoffanalyse
375	Shooting accidental discharge analysis	Prüfung des Entladens nach unbeabsichtigtem Schießen
376	Check post application of adhesive	Prüfung nach dem Kleben
377	Contamination analysis	Kontaminationsanalyse
390	Sample test	Prüfung eines Musters
396	Flight control surface movement	Positionierung der Flugsteuerungsflächen
397	Landing gear movement	Positionierung des Fahrwerks
398	Product configuration	Konfiguration des Produktes
400	Fault reports and isolation procedures	Fehlermeldungen und Fehlersuchverfahren
401	List of consumables associated with fault diagnosis	Verzeichnis der Verbrauchsmaterialien für die Fehlersuche
402	List of materials associated with fault diagnosis	Verzeichnis der Werkstoffe für die Fehlersuche
403	List of expendables associated with fault diagnosis	Verzeichnis der Verbrauchsgüter für die Fehlersuche
404	List of special support equipment and tools associated with fault diagnosis	Verzeichnis der speziellen Bodendienst- und Prüfgeräte und Werkzeuge für die Fehlersuche
405	List of support equipment and tools associated with fault diagnosis	Verzeichnis der Bodendienst- und Prüfgeräte und Werkzeuge für die Fehlersuche
406	List of software associated with fault diagnosis	Verzeichnis der Software für die Fehlersuche
407	Parts list associated with fault diagnosis	Verzeichnis der Teile für die Fehlersuche
410	General fault description	Allgemeine Fehlerbeschreibung
411	Isolated fault	Eingegrenzter Fehler
412	Detected fault	Festgestellter Fehler
413	Observed fault	Beobachteter Fehler
414	Correlated fault	Korrelierter Fehler
415	Impact of fault	Fehlerauswirkung
420	General fault isolation procedure	Allgemeines Fehlersuchverfahren
421-428	Fault isolation procedure	Fehlersuchverfahren
429	Diagnostics	Diagnoseverfahren
430	Fault isolation task supporting data	Daten zur Unterstützung der Fehlersuche
440	Index	Verzeichnis
441	Fault code index	Verzeichnis der Fehlercodes
442	Maintenance message index	Verzeichnis der Wartungsmeldungen
443	Post-troubleshooting shutdown procedure	Abschalten nach Fehlersuche
500	Disconnect, remove and disassemble procedures	Trenn-, Ausbau- und Zerlegungsverfahren
501	List of consumables associated with removal	Verzeichnis der Verbrauchsmaterialien für den Ausbau
502	List of materials associated with removal	Verzeichnis der Werkstoffe für den Ausbau
503	List of expendables associated with removal	Verzeichnis der Verbrauchsgüter für den Ausbau
504	List of special support equipment and tools associated with removal	Verzeichnis der speziellen Bodendienst- und Prüfgeräte und Werkzeuge für den Ausbau
505	List of support equipment and tools associated with	Verzeichnis der Bodendienst- und Prüfgeräte und Werkzeuge

	removal	für den Ausbau
506	List of software associated with removal	Verzeichnis der Software für den Ausbau
507	Parts list associated with removal	Verzeichnis der Teile für den Ausbau
510	Disconnect procedure	Trennen
520	Remove procedure	Ausbauen
521	Return to basic configuration	Abrüsten zur Basiskonfiguration
522	Remove support equipment/Remove from support equipment	Abbau von/vom Bodendienst- und Prüfgerät
523	Preparation before removal	Ausbauvorbereitung
524	Follow-on maintenance	Folgewartung
525	Ammunition unloading	Entladen von Munition
526	Deactivate launching device	Deaktivieren einer Abschussvorrichtung
530	Disassemble procedure	Zerlegen/auseinandernehmen
531	Disassemble on operation site	Zerlegen/auseinandernehmen am Einsatzort
540	Open for access procedure	Öffnen für Zugang
550	Unload software procedure	Entladen von Software
551	Fault monitoring storage readout (downloading)	Fehlerüberwachungsspeicher auslesen
552	Data erasing	Löschen von Daten
553	Display, copy and print of data	Anzeigen, kopieren und drucken von Daten
560	Deactivation procedure	Deaktivieren
561	De-energize electrical network	Abschalten eines elektrischen Netzes
562	Depressurize hydraulics	Hydraulikdruck vermindern
563	Deactivation maintenance practice	Deaktivieren für Wartung
600	Repairs and locally make procedures and data	Instandsetzungen, Verfahren und Daten für selbstgefertigte Teile
601	List of consumables associated with repairs	Verzeichnis der Verbrauchsmaterialien für Instandsetzungen
602	List of materials associated with repairs	Verzeichnis der Werkstoffe für Instandsetzungen
603	List of expendables associated with repairs	Verzeichnis der Verbrauchsgüter für Instandsetzungen
604	List of special support equipment and tools associated with repairs	Verzeichnis der speziellen Bodendienst- und Prüfgeräte und Werkzeuge für Instandsetzungen
605	List of support equipment and tools associated with repairs	Verzeichnis der Bodendienst- und Prüfgeräte und Werkzeuge für Instandsetzungen
606	List of software associated with repairs	Verzeichnis der Software für Instandsetzungen
607	Parts list associated with repairs	Verzeichnis der Teile für Instandsetzungen
610	Add material	Hinzufügen von Material
611	Insulation	Isolierung
612	Metalize	Metallisieren
613	Pot	Vergießen
614	Remetal	Ausgießen
615	Retread	Runderneuern
620	Attach material	Aufbringen von Werkstoff
621	Bond	Kleben
622	Crimp	Crimpen
623	Braze	Hartlöten
624	Rivet	Nieten
625	Solder	Löten
626	Splice	Spleißen
627	Weld	Schweißen

630	Change the mechanical strength/structure of material	Mechanische Festigkeit/Struktur des Werkstoffes verändern
631	Anneal	Ausglühen
632	Case harden	Einsatzhärten
633	Cure	Aushärten
634	Normalize	Normalglühen
635	Shot-peen	Kugelstrahlen
636	Temper	Vergüten
638	Other treatment	Weiteres Behandlungsverfahren
639	Other process to change the mechanical strength/structure of material	Anderer Verfahren, um die mechanische Festigkeit/Struktur eines Werkstoffes zu verändern
640	Change the surface finish of material	Verändern der Oberflächengüte eines Werkstoffes
641	Anodize	Anodisieren
642	Buff	Schwabbeln
643	Burnish	Brünieren
644	Chromate	Chromatieren
645	Hone	Honen
646	Lap	Einläppen
647	Plate	Beschichten
648	Polish	Polieren
649	Cleanup of dents, cracks and scratches	Beseitigung von Dellen, Rissen und Kratzern
650	Remove material	Material entfernen
651	Abrasive blast	Sandstrahlen
652	Bore/drill/ream	Aufbohren/Vorbohren/Aufreiben
653	Electrical/electrochemical/chemical etch	Elektrisches/elektrochemisches/chemisches Ätzen
654	Broach	Räumen
655	Grind	Schleifen
656	Mill	Fräsen
657	Thread/tap	Gewinde schneiden/bohren
658	Turn	Drehen
659	Other process to remove material	Anderes Verfahren, um Werkstoffe abzutragen
660	Structure repair procedure and data	Strukturinstandsetzungsverfahren und -daten
661	Allowable damage	Zulässige Schäden
662	Temporary repair procedure	Behelfsinstandsetzung
663	Standard repair procedure	Standardinstandsetzung
664	Special repair procedure	Sonderinstandsetzung
665	Fly-in repair procedure	Behelfsmäßige Instandsetzung für Überführungen
666	Material classification	Werkstoffspezifikation
667	Structure classification	Strukturspezifikation
668	Allowable damage of composite structures	Zulässige Schäden für Verbundstrukturen
669	Allowable damage of mixed structures	Zulässige Schäden für Mischstrukturen
670	Locally make procedure and data	Verfahren und Daten zur Selbstanfertigung
671	Making of parts	Anfertigung von Teilen
680	Battle damage repair procedure and data	Gefechtsschadeninstandsetzungsverfahren und -daten
681	Damage repair symbol marking	Symbolkennzeichnung für Gefechtsschadeninstandsetzung
682	Identification of damaged hardware	Identifizierung beschädigter Hardware
683	Damage assessment	Schadensbewertung

684	Utilization degradation	Nutzungseinschränkung
685	Repair procedure	Instandsetzung
686	Isolation procedure	Trennung vom übrigen System
687	Function test after battle damage repair	Funktionsprüfung nach Gefechtsschadeninstandsetzung
688	Battle damage repair kit	Gefechtsschadeninstandsetzungssatz
689	Damage repair	Schadeninstandsetzung
690	Miscellaneous	Sonstiges Instandsetzungsverfahren
691	Marking	Kennzeichnung
692	Connector repair	Instandsetzen einer Steckverbindung
693	Varnish	Lackieren
700	Assemble, install and connect procedures	Zusammenbau-, Einbau- und Anschlussverfahren
701	List of consumables associated with installation	Verzeichnis der Verbrauchsmaterialien für den Einbau
702	List of materials associated with installation	Verzeichnis der Werkstoffe für den Einbau
703	List of expendables associated with installation	Verzeichnis der Verbrauchsgüter für den Einbau
704	List of special support equipment and tools associated with installation	Verzeichnis der speziellen Bodendienst- und Prüfgeräte und Werkzeuge für den Einbau
705	List of support equipment and tools associated with installation	Verzeichnis der Bodendienst- und Prüfgeräte und Werkzeuge für den Einbau
706	List of software associated with installation	Verzeichnis der Software für den Einbau
707	Parts list associated with installation	Verzeichnis der Teile für den Einbau
710	Assemble procedure	Zusammenbauen
711	Tighten procedure	Anziehen
712	Lock procedure	Sichern
713	Pack procedure	Verpacken
714	Assemble on operation site	Zusammenbauen am Einsatzort
720	Install procedure	Einbauen
721	Build up to usable configuration	Aufrüsten zu einer einsatzfähigen Konfiguration
722	Install support equipment/Install on support equipment	Einbau von/in Bodendienst- und Prüfgeräte
723	Preparation before installation	Vorbereitung für den Einbau
724	Follow-on maintenance	Folgewartung
725	Ammunition loading	Beladen mit Munition
726	Activate launching device	Aktivieren einer Abschussvorrichtung
727	Site location plans	Standortlagepläne
728	Foundation preparation	Vorbereitung des Unterbaus
730	Connect procedure	Anschließen
740	Close after access procedure	Zugänge schließen
750	Load software procedure	Software laden
752	Data loading	Laden von Daten
760	Reactivation procedure	Reaktivieren
761	Energize electrical network	Einschalten eines elektrischen Netzes
762	Pressurize hydraulics	Hydraulik mit Druck beaufschlagen
800	Package, handling, storage and transportation	Verpackung, Handhabung, Lagerung und Transport
801	List of consumables associated with storage	Verzeichnis der Verbrauchsmaterialien für die Lagerung
802	List of materials associated with storage	Verzeichnis der Werkstoffe für die Lagerung
803	List of expendables associated with storage	Verzeichnis der Verbrauchsgüter für die Lagerung

804	List of special support equipment and tools associated with storage	Verzeichnis der speziellen Bodendienst- und Prüfgeräte und Werkzeuge für die Lagerung
805	List of support equipment and tools associated with storage	Verzeichnis der Bodendienst- und Prüfgeräte und Werkzeuge für die Lagerung
806	List of software associated with storage	Verzeichnis der Software für die Lagerung
807	Parts list associated with storage	Verzeichnis der Teile für die Lagerung
810	Preservation procedure	Konservieren und verpacken
811	Preparation for vehicle transportation	Vorbereitung für den Fahrzeugtransport
812	Shipping and storage - General	Versand und Lagerung
820	Procedure to remove preservation material	Verfahren zum Entfernen von Konservierungsmitteln
830	Procedure to put item in containers	Artikel in Behälter packen
831	Vehicle loading	Verladen eines Fahrzeuges
832	Procedure to pack items	Artikel verpacken
840	Procedure to remove item from containers	Artikel aus Behälter entnehmen
841	Vehicle unloading	Ausladen eines Fahrzeuges
842	Procedure to unpack items	Artikel auspacken
850	Procedure to keep item serviceable when in storage	Verfahren, um Artikel während der Lagerung in betriebsbereitem Zustand zu halten
860	Procedure to move item when in storage	Verfahren, um Artikel im gelagerten Zustand zu bewegen
870	Procedure to prepare item for use after storage	Verfahren, um Artikel für die Nutzung nach der Lagerung vorzubereiten
871	Set on condition	Einsatzfähigkeit herstellen
880	Procedure when item got out of storage	Verfahren zur Entnahme von gelagerten Artikeln
890	Life data of item when in storage	Lebensdauerinformation über die Lagerung eines Artikels
900	Miscellaneous	Diverses
901	Miscellaneous list of consumables	Sonstiges Verzeichnis der Verbrauchsmaterialien
902	Miscellaneous list of materials	Sonstiges Verzeichnis der Werkstoffe
903	Miscellaneous list of expendables	Sonstiges Verzeichnis der Verbrauchsgüter
904	Miscellaneous list of special support equipment and tools	Sonstiges Verzeichnis spezieller Bodendienst- und Prüfgeräte und Werkzeuge
905	Miscellaneous list of support equipment and tools	Sonstiges Verzeichnis der Bodendienst- und Prüfgeräte und Werkzeuge
906	Miscellaneous list of software	Sonstiges Verzeichnis der Software
907	Miscellaneous Parts list	Sonstiges Verzeichnis der Teile
910	Miscellaneous	Verschiedenes
911	Illustration	Abbildung
912	Handling procedure	Handhabungsverfahren
913	General maintenance procedure	Allgemeines Wartungsverfahren
914	Container data module	Containerdatenmodul
915	Facilities	Einrichtungen
916	Maintenance allocation	Zuordnung von Wartungsinformationen
917	Non-S1000D publication	Publikation nicht gemäß S1000D
920	Change = Remove and install	Wechseln = Ausbauen und Einbauen
921	Change = Remove and install a new item	Wechseln = Austauschen mit Neuteil
922	Change = Remove and install the removed item	Wechseln = Ausbauen und Einbauen des ausgebauten Teils
923	Change = Disconnect and connect an item	Wechseln = Trennen und wieder Anschließen
930	Service bulletin	Service Bulletin
931	Service bulletin data	Service Bulletin Daten
932	Planning information	Planungsinformationen

933	Accomplishment procedure - Task set	Durchführungsanweisung
934	Material information	Materialinformationen
940	Provisioning data	Teiledaten
941	Illustrated parts data	Bebilderte Teiledaten
942	Numerical index	Numerisches Verzeichnis
950	Composite information	Zusammengefasste Information
951	Generic process	Allgemeines Prozessdatenmodul
952	Generic learning content	Allgemeine Lerninhalte
961	Calculation worksheets	Arbeitsblätter zur Berechnung
970	Approved vendor processes	Genehmigte Lieferantenprozesse
980	Environmental protection, fire-fighting and rescue	Umweltschutz, Brandbekämpfung und Rettung
981	Air cleaning	Luftreinigung
982	Sewage treatment	Abwasseraufbereitung
989	Fire-fighting and rescue	Brandbekämpfung und Rettung
990	Neutralization and disposal	Neutralisieren und Entsorgen
991	Neutralization of ordnance	Neutralisieren von Kampfmitteln
992	Neutralization of substance	Neutralisieren von Substanzen
996	Disposal of ordnance	Entsorgen von Kampfmitteln
997	Disposal of Product	Entsorgen eines Gerätes
998	Disposal of substance	Entsorgen von Substanzen
C00	Computer systems, software and data	Computersysteme, Software und Daten
C01	Miscellaneous list of consumables associated with computer systems, software and data	Verzeichnis der Verbrauchsmaterialien in Verbindung mit Computersystemen, Software und Daten
C02	Miscellaneous list of materials associated with computer systems, software and data	Verzeichnis der Werkstoffe in Verbindung mit Computersystemen, Software und Daten
C03	Miscellaneous list of expendables associated with computer systems, software and data	Verzeichnis der Verbrauchsgüter in Verbindung mit Computersystemen, Software und Daten
C04	Miscellaneous list of special support equipment and tools associated with computer systems, software and data	Verzeichnis der speziellen Bodendienst- und Prüfgeräte und Werkzeuge in Verbindung mit Computersystemen, Software und Daten
C05	Miscellaneous list of support equipment and tools associated with computer systems, software and data	Verzeichnis der Bodendienst- und Prüfgeräte und Werkzeuge in Verbindung mit Computersystemen, Software und Daten
C06	Miscellaneous list of software associated with computer systems, software and data	Verzeichnis der Software in Verbindung mit Computersystemen, Software und Daten
C07	Miscellaneous parts list associated with computer systems, software and data	Verzeichnis der Teile in Verbindung mit Computersystemen, Software und Daten
C13	Notes	Anmerkungen
C14	Problem handling	Problembehandlung
C15	Summary of content	Zusammenfassung des Inhalts
C20	System administration	Systemadministration
C21	System monitoring	Systemüberwachung
C22	Description of command	Beschreibung von Anweisungen
C23	Connect hardware	Hardware anschließen
C25	System recovery	Systemwiederherstellung
C26	Backup and restore	Sichern und wiederherstellen
C27	Reboot	Neustart
C30	Coordinate	Abstimmen
C31	Defragmentation	Defragmentierung
C32	Input/Output media	Ein-/Ausgabemedien
C33	Disk mirroring	Plattenspiegelung

C34	Clear interference	Beseitigung von Interferenzen
C35	Time check	Zeitvergleich
C36	Compatibility check	Kompatibilitätsprüfung
C50	Manage data	Daten verwalten
C51	Move data	Daten verschieben
C52	Manipulate/Use data	Daten verändern/nutzen
C53	Description of data storage	Beschreibung der Datenspeicherung
C60	Programming information	Informationen zur Programmierung
C61	Program flow chart	Programmablaufplan
C62	Processing reference guide	Verarbeitungsleitfaden
C70	Security and privacy	Sicherheit und Datenschutz
C72	Security information	Sicherheitsinformationen
C73	Security procedures	Sicherheitsverfahren
C74	List of security/classification codes	Verzeichnis der Sicherheits-/Klassifizierungskodes
C75	Access control	Zugriffskontrolle
C90	Miscellaneous	Sonstiges
C91	Quality assurance	Qualitätssicherung
C92	Vendor information	Informationen des Lieferanten
C95	Naming conventions	Namenskonventionen
C96	Technical requirements	Technische Anforderungen

The explanations in S1000D issue 2.3, Chap. 8.4 are applicable.

Project specific information codes

According to S1000D issue 2.3, Chap. 8.4, the information codes IC=XXA are "Available for projects (with the exception of "00A" thru "00Z")".

Their use in national projects is subject to an assignment in the NSG-AT upon request by the projects.

Infocode	Infoname English	Infoname Deutsch
23A		Durchblasen Anmerkung: auch IC = 255 - Purge
27A		Kompensieren Anmerkung: vgl. hierzu auch IC = 277
28A		Zustandsinspektion
28B		Normalinspektion
32A		Einstellungsprüfung
36A		Spannungsprüfung
53A		Vorbereitung zur Zerlegung
64A		Lackieren Anmerkung: vgl. hierzu auch 693